

Overview

The DM2 and DR2 security cameras provide high-quality surveillance images in a variety of discreet commercial applications. DM2 and DR2 domes can be mounted in a variety of positions including wall mount, ceiling mount, flush mount (DR2 only), and pendant mount. The camera can be rotated 360 degrees and tilted 90 degrees into the most desirable viewing angle using the 3-axis gimble mounting system. Each housing comes with a captive shroud that conceals the easy-to-position camera.

The DM2 is a plastic housing designed for indoor use. The DR2 is an aluminum vandal-resistant IP66-rated environmental housing designed for indoor and outdoor use. Both housings feature a polycarbonate dome for extra durability.

The DR2 and DM2 dome housings offer three great camera options to choose from, making it easy to get the right camera for the right situation.

Ultra-Wide Dynamic Range

The XP3 cameras use UltraView XP3 technology. Each pixel is individually optimized to show details in shadows and highlights. This ultra-wide dynamic range camera option will deliver usable images in the most challenging high-contrast lighting conditions. The improved low-light performance makes this option a true high-performance WDR camera. These camera options deliver an astounding 520 TVL of color resolution.

High Dynamic Range

The HDR cameras use a Sony double-speed CCD sensor with a wide dynamic range that makes surveillance under various critical backlighting environments possible. Micro-controllers in each camera provide high-quality digital images. The excellent low-light performance makes this a great choice for changing lighting conditions. These versatile camera options deliver 500 TVL resolution in color.

General Purpose

The EVR cameras incorporate a Sony double-speed CCD, DSP and a micro-controller to provide high-quality images with good color reproduction and sharp pictures. These camera options deliver 540 TVL resolution color as well as feature an advanced auto-exposure system for fixed and autoiris lenses that optimizes the available light.

Standard Features

Top-quality images

- Digital signal processing
- Excellent performance in most lighting conditions
- Choice of sensor devices for any application
- UltraView technology available

Housings for all applications

- Uses a true "3-Axis Gimble" which allows for optimization of the field of view level regardless of mounting location
- Polycarbonate dome with captive shroud for easy installation, vandal resistance and to conceal camera position
- Heavy-duty indoor/outdoor and lightweight indoor options (Rugged Dome housing is IP66 rated)
- 12 VDC/24 VAC

Easy setup

- Six preset modes and one customized mode for use in common lighting conditions
- On-screen display menu walk users through options
- Secondary BNC output inside the dome bubble for local test monitor during setup

DM2/DR2 Domes

high-performance dome cameras



Application

The DM2 and DR2 dome cameras are notable for their ability to work in just about any environment. Because the available camera options perform in extreme high and low-light situations, it's easy to find a camera tailored to most security applications.

The discreet DM2 is ideal for indoor applications including retail environments and healthcare facilities. The DR2, with its vandal resistant and weather resistant characteristics, is well-suited for exterior installations including shipping ports and banking institutions as well as parking lots.

Typical Camera Locations	XP3	HDR	EVR
Loading docks	Y	Y	N
ATM kiosks	Y	Y	N
Retail stores	Y	Y	Y
Office lobbies	Y	Y	Y
Automotive dealership showrooms	Y	Y	N
Hospital hallways / surgical suites	Y	Y	N
Parking garages	N	Y	Y

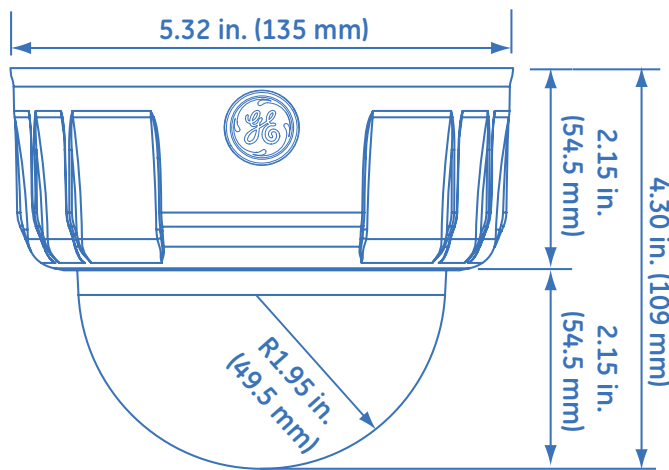
Specifications

DM2/DR2 Camera Models	DRX/DMX (XP3)	DRH/DMH (HDR)	DRE/DME (EVR)
Features			
Sensor	1/3-in. GE Xposure	1/3-in. interline transfer WDR Super HAD CCD	1/3-in. interline transfer Super HAD CCD
Dynamic Range	95 dB typical, 120 dB max	52 dB	—
Signal System	NTSC/PAL Selectable	NTSC or PAL standard	NTSC or PAL standard
Scanning System	525/60 (NTSC); 625/50 (PAL)	525 (NTSC), 625 (PAL); 2:1 Interlace	525 (NTSC), 625 (PAL); 2:1 Interlace
Digital Zoom	—	Up to 4X	—
Synchronization	Internal/Line Lock AC	DC Internal/AC Line Lock	DC Internal/AC Line Lock
Horizontal Resolution	720	811 (NTSC); 795 (PAL)	811 (NTSC); 795 (PAL)
Vertical Resolution	540	508 (NTSC); 596 (PAL)	508 (NTSC); 596 (PAL)
Overall Resolution	520 TVL	500 TVL color	540 TVL color
Sensitivity	0.5 lux @ f1.2, 30 IRE	0.5 lux @ f1.2, 30 IRE	0.5 lux @ f1.2, 30 IRE
Signal-to-Noise Ratio	Better than 50 dB	Better than 50 dB	Better than 50 dB
Color Balance	ATW, ATW-Extend	ATW, AWB	ATW, AWB
Gain	AGC on/off, fully programmable	AGC 0 to 36 dB	AGC 0 to 32 dB
Gamma Compensation	0.45 NTSC; 0.36 PAL	15 Curves selectable	9 Curves and Auto Mode
Video Output	Composite 1.0 V p-p at 75 ohms	Composite 1.0 V p-p at 75 ohms	Composite 1.0 V p-p at 75 ohms
Frame Integration	2X~32X	2X~160X	—
Masking	—	8 areas ON/OFF, color, position, size adjustable	8 areas ON/OFF, 2 colors, position, size adjustable
Mirror	Horizontal	Horizontal, Vertical, 180°	—
White Balance	ATW/ATW-Extend	ATW/AWB/Manual	ATW/AWB/Manual
Aperture Correction	—	3 levels adjustable	0 to 15 steps adjustable
Lens Mount	On Board Lens	On Board Lens	On Board Lens
Lens Options	3.3 to 12 mm 9 to 22 mm 15 to 50 mm Lens Package	3.3 to 12 mm 9 to 22 mm 15 to 50 mm Lens Package	3.3 to 12 mm 9 to 22 mm 15 to 50 mm Lens Package
Auto Exposure	—	1/60 (1/50) sec	1/60 (1/50) sec
Manual Exposure	—	1/60 (1/50), 1/120, 1/250, 1/500, 1/1000, 1/2000, 1/5000, 1/10000 sec. (only in normal light mode)	1/60 (1/50), 1/120, 1/250, 1/500, 1/1000, 1/2000, 1/5000, 1/10000 sec.
Environmental			
Operating Temperature	-58 to 122°F (-50 to 50°C)	-22 to 122°F (-30 to 50°C)	-22 to 122°F (-30 to 50°C)
Electrical			
Input Voltage	24 VAC or 12 VDC	24 VAC or 12 VDC	24 VAC or 12 VDC
Power Consumption	3W (DC); 2.4 W (AC)	3.4W (DC); 2.9 W (AC)	3.6 W (DC); 4.5 W (AC)
Physical			
Dimensions	5.32 x 4.30 in. (135 x 109 mm)	5.32 x 4.30 in. (135 x 109 mm)	5.32 x 4.30 in. (135 x 109 mm)
Weight	DM2: 14.5 oz (411 g) DR2: 33.4 oz (949 g)	DM2: 14.5 oz (411 g) DR2: 33.4 oz (949 g)	DM2: 14.5 oz (411 g) DR2: 33.4 oz (949 g)
Regulatory Certifications	FCC, CE, C-TICK, UL	FCC, CE, C-TICK, UL	FCC, CE, C-TICK, UL

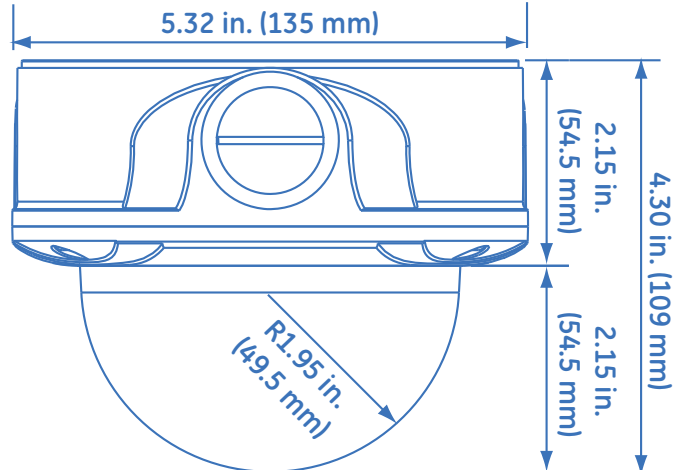
Dimensional Diagrams

The DM2 and DR2 housings are interchangeable – select the best housing for your environment and add an XP3, HDR or EVR camera.

DM2 Dome Housing



DR2 Dome Housing



Ordering Information

DM2 Dome Housing / Camera with 540 TVL and UltraView WDR

GEC-DMXDN-VA3	Day/Night, 3.3-12mm Varifocal Autoiris, 12VDC/24VAC
GEC-DMXDN-VA9	Day/Night, 9-22mm Varifocal Autoiris, 12VDC/24VAC
GEC-DMX-VA3	3.3-12mm Varifocal Autoiris, 12VDC/24VAC
GEC-DMX-VA9	9-22mm Varifocal Autoiris, 12VDC/24VAC

DM2 Dome Housing / Camera with 500 TVL and WDR

GEC-DMHDN-VA3	Day/Night, 3.3-12mm Varifocal Autoiris, 12VDC/24VAC
GEC-DMHDN-VA9	Day/Night, 9-22mm Varifocal Autoiris, 12VDC/24VAC
GEC-DMHDNP-VA3	Day/Night, PAL, 3.3-12mm Varifocal Autoiris, 12VDC/24VAC
GEC-DMHDNP-VA9	Day/Night, PAL, 9-22mm Varifocal Autoiris, 12VDC/24VAC
GEC-DMH-VA3	3.3-12mm Varifocal Autoiris, 12VDC/24VAC
GEC-DMH-VA9	9-22mm Varifocal Autoiris, 12VDC/24VAC
GEC-DMHP-VA3	PAL, 3.3-12mm Varifocal Autoiris, 12VDC/24VAC
GEC-DMHP-VA9	PAL, 9-22mm Varifocal Autoiris, 12VDC/24VAC

DM2 Dome Housing / Camera with 540 TVL

GEC-DME-VA3	3.3-12mm Varifocal Autoiris, 12VDC/24VAC
GEC-DME-VA9	9-22mm Varifocal Autoiris, 12VDC/24VAC
GEC-DMEP-VA3	PAL, 3.3-12mm Varifocal Autoiris, 12VDC/24VAC
GEC-DMEP-VA9	PAL, 9-22mm Varifocal Autoiris, 12VDC/24VAC

DR2 Dome Housing / Camera with 540 TVL and UltraView WDR

GEC-DRXDN-VA3	Day/Night, 3.3-12mm Varifocal Autoiris, 12VDC/24VAC
GEC-DRXDN-VA9	Day/Night, 9-22mm Varifocal Autoiris, 12VDC/24VAC
GEC-DRX-VA3	3.3-12mm Varifocal Autoiris, 12VDC/24VAC
GEC-DRX-VA9	9-22mm Varifocal Autoiris, 12VDC/24VAC

DR2 Dome Housing / Camera with 500 TVL and WDR

GEC-DRHDN-VA3	Day/Night, 3.3-12mm Varifocal Autoiris, 12VDC/24VAC
GEC-DRHDN-VA9	Day/Night, 9-22mm Varifocal Autoiris, 12VDC/24VAC
GEC-DRHDNP-VA3	Day/Night, PAL, 3.3-12mm Varifocal Autoiris, 12VDC/24VAC
GEC-DRHDNP-VA9	Day/Night, PAL, 9-22mm Varifocal Autoiris, 12VDC/24VAC
GEC-DRH-VA3	3.3-12mm Varifocal Autoiris, 12VDC/24VAC
GEC-DRH-VA9	9-22mm Varifocal Autoiris, 12VDC/24VAC
GEC-DRHP-VA3	PAL, 3.3-12mm Varifocal Autoiris, 12VDC/24VAC
GEC-DRHP-VA9	PAL, 9-22mm Varifocal Autoiris, 12VDC/24VAC

DR2 Dome Housing / Camera with 540 TVL

GEC-DRE-VA3	3.3-12mm Varifocal Autoiris, 12VDC/24VAC
GEC-DRE-VA9	9-22mm Varifocal Autoiris, 12VDC/24VAC
GEC-DREP-VA3	PAL, 3.3-12mm Varifocal Autoiris, 12VDC/24VAC
GEC-DREP-VA9	PAL, 9-22mm Varifocal Autoiris, 12VDC/24VAC

GE Security

North America
T (503) 885-5700
T 888-GE-SECURITY
888-(437-3287)
E info@gesecurity.com

Asia
T 852-2907-8108
F 852-2142-5063

Australia
T 61-3-9259-4700
F 61-3-9259-4799

Europe
T 32-2-725-11-20
F 32-2-721-40-47

Latin America
T 305-593-4301
F 305-593-4300

www.gesecurity.com

Specifications subject to change without notice.

©2007 General Electric Company
All Rights Reserved



imagination at work