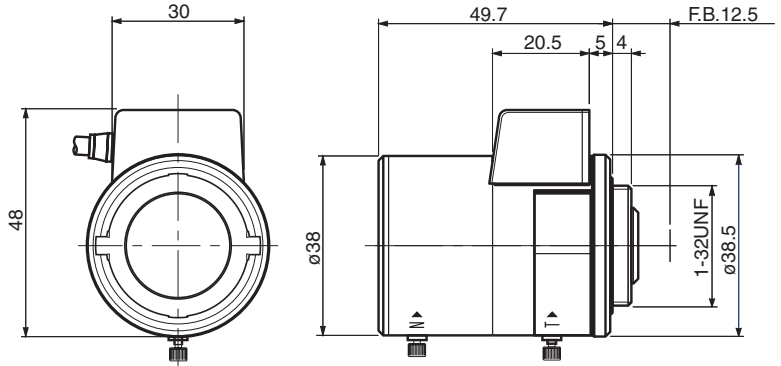


**L298AVDC4PIR** (Aspheric) **DAY NIGHT IR**

2.9~8mm F0.95 – CS-Mount

Compatible with 1/3" & 1/4" Cameras

- Focal Length:** 2.9~8mm
- Max. Relative Aperture:** 1:0.95
- Iris:** F0.95~Approx. F360  
Built-in ND Spot Filter
- Angular Field of View:** 1/3": 94.3° × 68.9° at 2.9mm  
36.0° × 26.9° at 8mm  
1/4": 68.9° × 43.5° at 2.9mm  
26.9° × 19.1° at 8mm
- Min. Object Distance (M.O.D.):** 0.3m (From Front Vertex)
- Optical Back Focal Distance:** 7.44~13.69mm (In Air)
- Operation:** Zoom: Manual  
Focus: Manual  
Iris: IG (Auto-Close System)
- Operation Voltage:** Close to Open: Less than 4V  
Open to Close: More than 0.5V
- Operation Temperature:** -10 ~ +50°C (+14 ~ 122° F)
- Filter Size:** None
- Mount:** CS-Mount  
(Adjustable Lens Position)
- Size, Approx. Weight:** 38 × 48 × 49.7mm (w/h/d), 64g  
(Approx. 1.5 × 1.9 × 2.0in., 2.3oz.)



**Camera Connector Wiring**

| Pin | Signal    |
|-----|-----------|
| 1   | Brake - * |
| 2   | Brake + * |
| 3   | Drive +   |
| 4   | Drive -   |

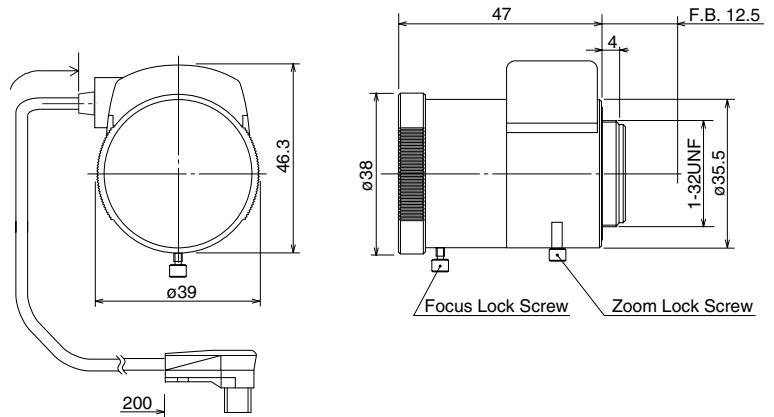
\* Also referred to as DAMP, CONTROL, or DUMP

**L308VDC4PIR** **DAY NIGHT IR**

3~8mm F1.4 – CS-Mount

Compatible with 1/3" & 1/4" Cameras

- Focal Length:** 3~8mm
- Max. Relative Aperture:** 1:1.4
- Iris:** F1.4~Approx. F360  
With ND Spot Filter
- Angular Field of View:** 1/3": 92.9° × 68.4° at 3mm  
35.7° × 26.8° at 8mm  
1/4": 61.9° × 44.5° at 3mm  
26.8° × 19.1° at 8mm
- Min. Object Distance (M.O.D.):** 0.3m (From Front Vertex)
- Optical Back Focal Distance:** 7.25~12.81mm (In Air)
- Operation:** Zoom: Manual  
Focus: Manual  
Iris: IG (Auto-Close System)
- Operation Voltage:** Close to Open: Less than 3V  
Open to Close: More than 0.5V
- Operation Temperature:** -10 ~ +50°C (+14 ~ 122° F)
- Filter Size:** None
- Mount:** CS-Mount  
(Adjustable Lens Position)
- Size, Approx. Weight:** 39 × 46.3 × 47mm (w/h/d), 65g  
(Approx. 1.5 × 1.8 × 1.9in., 2.3oz.)



**Camera Connector Wiring**

| Pin | Signal    |
|-----|-----------|
| 1   | Brake - * |
| 2   | Brake + * |
| 3   | Drive +   |
| 4   | Drive -   |

\* Also referred to as DAMP, CONTROL, or DUMP