



LTC 9348/00 Series Indoor Housings

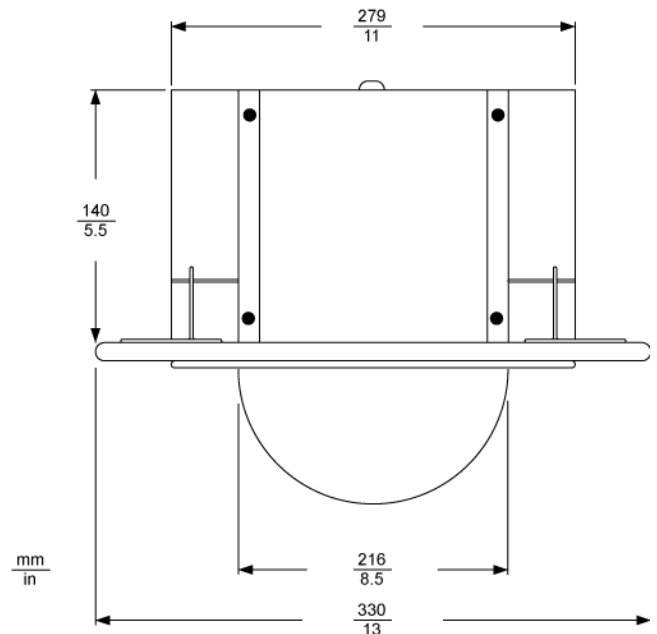


- ▶ For fixed camera installations
- ▶ Plenum ceiling applications
- ▶ Adjustable viewing direction
- ▶ Tamper resistant and dustproof
- ▶ Concealed camera position
- ▶ Tinted lower dome
- ▶ Attractive design
- ▶ Easy installation

This attractive domed housing accommodates 1/2-inch and 1/3-inch solid-state cameras for surveillance in a variety of indoor CCTV applications. The LTC 9348/00 has a 216 mm (8.5 in) lower tinted dome, with an opaque black non-viewing window area and white decorative trim ring. The above-ceiling portion is manufactured from heavy gauge steel, making it ideal for use in plenum ceiling applications. These housings can be mounted in both sheetrock and standard drop ceilings.

The units contain conduit knockouts and support holes for easy installation and service. They come complete with mounting hardware and an adjustable camera mounting head for 360 degree adjustable viewing direction. These totally enclosed units are dustproof and tamper resistant.

Installation/Configuration Notes



Dimensional Outline

Parts Included

Quantity	Component
1	LTC 9348/00 Series Indoor Housing

Technical Specifications

Mechanical

Construction	The back box is constructed from 20 and 18 gauge steel. The lower capsule is formed from 0.125 inch tinted cell cast acrylic with non-viewing window area opaque black and white trim ring. Light reduction due to the viewing area is only 1 to 1.5 f-stops.
Dimensions	See Dimensional Outline
Weight	3.1 kg (6.8 lb)
Maximum Camera/Lens	216 L x 89 W x 71 H mm (8.5 x 3.5 x 2.8 inch)
Enclosure Mounting	Four (4) mounting flanges are provided in flange of dome (including toggle bolts).
Camera Mounting	Camera support bracket is adjustable forward and backward. Bracket is included with each unit.

Ordering Information

Model | Description

LTC 9348/00 Series Indoor Housings
for cameras/lens to 216 mm (8.5 inch), ceiling mount, tinted, metal backbox

Americas:
Bosch Security Systems
130 Perinton Parkway
Fairport, New York, 14450, USA
Phone: +1 585 223 4060
Fax: +1 800 289 0096
security.sales@us.bosch.com
www.boschsecurity.us

Europe, Middle East, Africa:
Bosch Security Systems B.V.
P.O. Box 80002
5600 JB Eindhoven, The Netherlands
Phone: +31 (0) 40 27 83955
Fax: +31 (0) 40 27 86668
emea.securitysystems@bosch.com
www.boschsecurity.com

Asia-Pacific:
Bosch Security Systems Pte Ltd
38C Jalan Pemimpin
Singapore 577180
Phone: +65 6319 3450
Fax: +65 6319 3499
apr.securitysystems@bosch.com
www.boschsecurity.com

Represented by