

# LTC 131x Series, LTC 141x Series Monochrome and Color FlexiDome® I Cameras

- Fixed Cameras in 64-mm (2.5-inch) Domes
- 1/4-inch Format Standard Resolution CCD Imager
- Full range of color and monochrome models
- Available with 3-mm or 6-mm Lenses
- All Models with advanced DSP
- Backlight Compensation
- 24 VAC Supply with Line-Lock



The LTC 131x and LTC 141x Series FlexiDome® I are fixed compact cameras in stylish surveillance domes. The high performance 1/4-inch monochrome or color CCD cameras come in a choice of 3-mm or 6-mm integral lenses for wide angle or standard view. Wide AC voltage ranges allow flexibility in both PAL and NTSC versions.

The FlexiDome I cameras are easily surface mounted on ceilings or walls to elegantly blend with their environment. The lightly tinted dome masks the camera without significant f-stop loss. With its 24 VAC supply and line-lock capabilities, this camera is not sensitive to the color interaction between the shutter and fluorescent lighting common to DC-supplied cameras.

Various configuration possibilities are available via the easily accessible switches for white balance, line-lock, phase adjustment, and backlight compensation. The camera's viewing direction can be manually adjusted, and the ball mounted construction ensures a stable camera view.

The backlight compensation and wide dynamic range, combined with the many other image enhancement features of the proprietary DSP ensure optimum contrast and a clear picture of the object at any time.

Enhanced picture quality, true color reproduction, and outstanding reliability make these domed cameras an excellent choice for indoor applications in retail, casinos, museums, malls, and bank or hotel lobbies.

# SPECIFICATIONS

## Models

### Monochrome:

LTC 1312 Series: With 3 mm f/2.0 integral lens.  
LTC 1313 Series: With 6 mm f/2.0 integral lens.

### Color:

LTC 1412 Series: With 3 mm f/2.0 integral lens.  
LTC 1413 Series: With 6 mm f/2.0 integral lens.

## Electrical

Model No.	Voltage Range	Mono/Color Systems
<b>Monochrome</b>		
LTC 1312/10	12 to 28 VAC or VDC	CCIR
LTC 1313/10	12 to 28 VAC or VDC	CCIR
LTC 1312/20	12 to 28 VAC or VDC	EIA RS-170
LTC 1313/20	12 to 28 VAC or VDC	EIA RS-170
<b>Color</b>		
LTC 1412/10	12 to 28 VAC or VDC	PAL B
LTC 1413/10	12 to 28 VAC or VDC	PAL B
LTC 1412/20	12 to 28 VAC or VDC	NTSC
LTC 1413/20	12 to 28 VAC or VDC	NTSC

Power is 2 W for all models.

**Imager:** Interline transfer CCD; 1/4-inch image format.

Active Picture Elements:

PAL/CCIR Models: 500 H x 582 V.  
NTSC/EIA Models: 510 H x 492 V.

### Horizontal Resolution:

PAL/NTSC Color Models: 330 TVL.  
CCIR/EIA Monochrome Models: 380 TVL.

### Sensitivity (3200 K):

		Usable Picture (50IRE)	Full Video
<b>Monochrome</b>			
Scene illumination	fc	0.05	0.25
	lx	0.5	2.5
<b>Color</b>			
Scene illumination	fc	0.45	2.2
	lx	4.5	22

f/2 lens, 89.9% scene reflectance.

**Signal-to-noise (Min. AGC):** >46 dB

**AGC:** 18 dB

### Electronic Shutter:

PAL/CCIR Models: 1/50 to 1/100,000 sec.  
NTSC/EIA Models: 1/60 to 1/100,000 sec.

### White Balance (Color Models Only):

Continuous Tracking (ATW): 2500 K to 9000 K.  
White Balance Store (AWB): 2500 K to 9000 K.

**Video Output:** 1.0 Vp-p, 75 ohm.

### Aperture Correction:

Horizontal and vertical.

### Synchronization:

Line-lock (When powered by AC): Synchronizes camera to power line zero crossing for roll-free vertical interval switching. Vertical phase delay can be externally adjusted (continuously) to allow vertical synchronization in multiphase power installations.

### Controls:

Line-Lock: Selectable On/Off.  
Phase Adjust Range: 330°  
White balance: ATW or AWB (color models only)  
Backlight Compensation: On/Off.

### Connectors:

Video Out: BNC.  
Power: Terminal block, power supply terminals are isolated from video output BNC.

## Mechanical

**Cable Entry:** Internal connections.

### Mounting:

Mounts on wall or ceiling.  
Adjustable camera viewing position: 120° Horz;  
120° Vertical; 360° Rotation.  
Viewing angle: 3mm lens - 53° Horz., 38° Vert.  
Viewing angle: 6mm lens - 36° Horz., 27° Vert.

**Construction/Finish:** Polycarbonate (PC) dome on molded PC/ABS housing.

**Dimensions:** 115 mm (4.5 in) diameter x 77 mm (3 in) height.

**Weight:** 0.4 kg (0.9 lb).

## Environmental

### Temperature:

Operating: -10 °C to +45 °C (+14 °F to +113 °F).  
Storage: -25 °C to +70 °C (-4 °F to +158 °F).

**Humidity:** 0% to 93% relative, noncondensing.

## Electromagnetic Compatibility

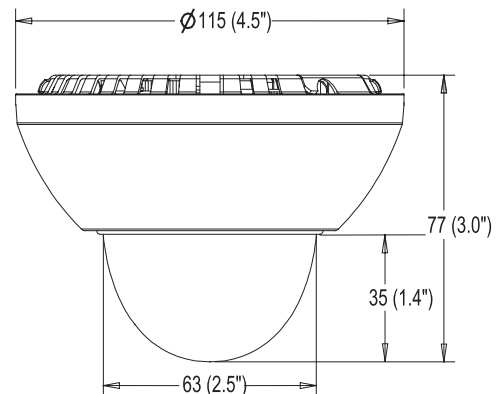
**EMC Requirements:** CE Immunity, CE Emission Class B, FCC Class B.

**Safety:** CE, UL, cUL.

## Accessories

TC1323 Power Supply: Input 120 VAC, 60 Hz,  
Output 24 VAC 60 Hz 10VA.

TC220PSX-24 Power Supply: Input 220-240 VAC, 50/60 Hz,  
Output 24 VAC 50/60 Hz 20VA.



Dimensions



# PHILIPS

*Let's make things better.*