

MKS-1GD, 1GDV, 1GDVF

Fixed Camera Door Sentry Systems

DESCRIPTION:

The MKS-1GD, 1GDV and 1GDVF are audio video door answering systems complete with a fixed camera door station (MK-DH, MK-DV and MK-DVF respectively), an inside monitoring station (MK-1GD) and a power supply (PS-1820UL). Two additional interior stations may be added, either audio only (MK-2SD), audio/video (MK-1HD) or one of each. The video door stations feature a wide angle black & white CCD camera with built in infrared illumination for low light viewing, call-in button, and speaker/mic for communication. The call button on the door station turns on the 4" CRT at the inside monitor, initiates audio monitoring from the door and activates a four-stroke chime.

Audio communication at the door station is hands free, and communication at the inside station is through the handset. The interior stations also feature a normally open dry contact for door release and an extra dry contact for light or secondary door release activation. Additional door station features vary by model: The MK-DH is surface mount and features a gray ABS plastic housing and an adjustable viewing area. The MK-DV is surface mount and features a Zinc cast faceplate with a metal call button. The MK-DVF is flush mount with a stainless steel faceplate and metal call button. One power supply (PS-1820UL) supplies power for an entire system.

MK Series System Components**MK-1GD/HD Features:**

- Audio/Video Monitor
- 4" CRT Screen
- Handset for private communication
- All call to other units
- Door release contact
- Extra dry contact (Optional)
- Call-in LED
- Chime tone Volume control
- Transfer of door call-in
- Instant-on when door calls
- Monitor the door station

**MK-2SD Features:**

- Audio Only sub
- Handset for private communication
- All call to other units
- Door release contact
- Extra dry contact (Optional)
- Call-in LED
- Chime tone Volume control
- Transfer of door call-in

**MK-DH Features:**

- Surface mount
- Adjustable camera angle
- Built in infrared LED's
- Lexan protected camera lens

**MK-DVF Features:**

- Flush mount
- Backlit directory
- Vandal resistant
- Stainless steel face
- Metal call button
- Built in infrared LED's
- Lexan protected camera lens

**MK-DV Features:**

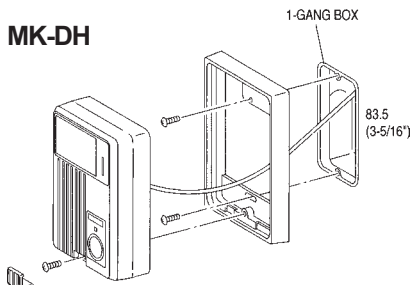
- Surface mount
- Backlit directory
- Vandal resistant
- Zinc cast face
- Metal call button
- Built in infrared LED's
- Lexan protected camera lens

FEATURES & FUNCTIONS:

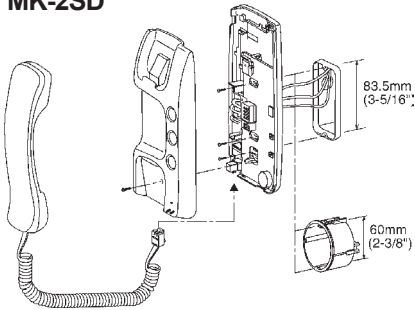
- Video quality improved over current MK system
- Set contains door station, monitor and power supply
- Extra dry contact (optional)
- Door call-in LED
- Video and audio turn on when door calls in
- Door Call Transfer
- Redesigned monitors
- Two additional monitor or handset only stations can be added
- Simple 2-wire hook up -- Can replace existing doorbell
- 4 or 6 wires between inside monitors (based on distance)
- Handset for two-way communication at inside station
- Hands free communication at the door station
- Infrared, CCD camera for low light applications
- Built-in video output (requires additional equipment)
- All call between inside stations
- One power supply for entire system
- Activate door strike from inside station(s)
- Wide angle CCD cameras
- Three sets include new door stations:
 - MKS-1GD: MK-DH Surface Mount ABS Plastic
 - MKS-1GDV: MK-DV Vandal proof, surface mount
 - MKS-1GDVF: MK-DVF Vandal proof flush mount

MOUNTING & INSTALLATION:

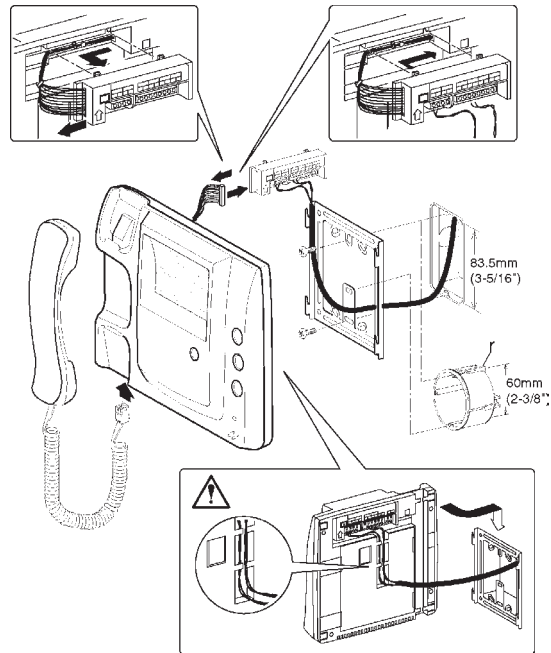
MK-DH



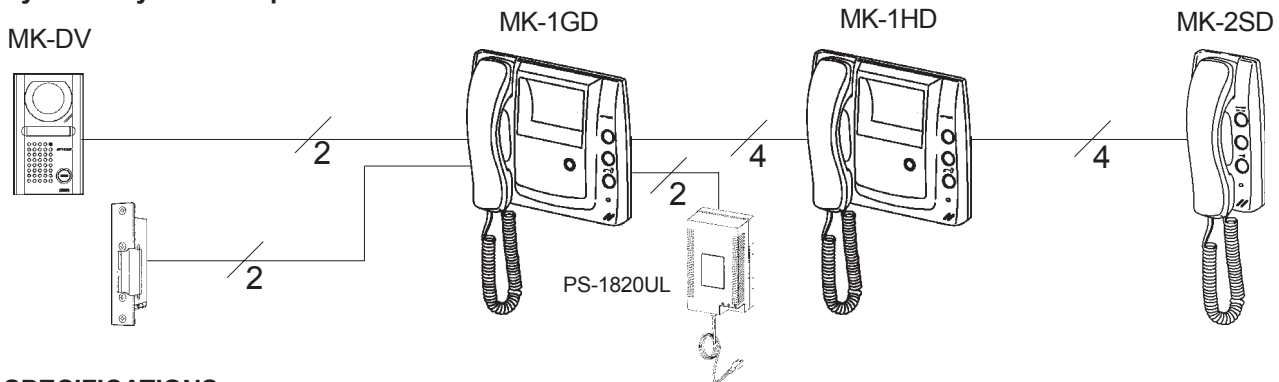
MK-2SD



MK-1GD/MK-1HD



System Layout Example:



SPECIFICATIONS:

Systems:

MKS-1GD (MK-DH, MK-1GD, PS-1820UL)
 MKS-1GDV (MK-DV, MK-1GD, PS-1820UL)
 MKS-1GDVF (MK-DVF, MK-1GD, PS-1820UL)

Power Source:

18V DC - Use PS-1820UL

Operating Temperature:

MK-DH, DV, DVF: 14° ~ 140° F
 MK-1GD/1HD/2SD: 32° ~ 104° F

Communication:

Hands free at door station, Handset at inside stations

Calling:

From Door to Inside: Chime tone with "Instant on"
 Between Inside Stations: All Call tone, then communicate with handset

Video Monitor:

4" CRT with 525 scanning lines

Camera Unit:

CCD (Charged Coupled Device) with infrared LED illumination

Overall Viewing Area:

25-1/2" Vert. x 37-1/2" Horiz. at 20"

Wiring:

2 wires to door station (Use Aiphone wire # 841802)
 4 wires between monitors (Use Aiphone wire # 841804)

Wiring Distance:

165' w/22AWG; 330' w/18AWG

Mounting:

Surface mount to a 1-gang box or ring

Door Release Contact:

Normally Open - 24V DC, 1A Max.

Dimensions (H x W x D):

MK-1GD/1HD: 8-1/4" x 5-1/2" x 2-3/4" - MK-2SD: 7-7/8" x 3-1/2" x 2-1/2"
 MK-DH: 5-1/8" x 3-7/8" x 1-1/2" - MK-DV: 6-7/8" x 3-7/8" x 1-1/16"
 MK-DVF: 8-1/4" x 5-3/8" x 2" (Overall depth)