



# ***M Series Multi-Output Access Control Power Supply Charger***

## ***Installation Guide***

### ***Models Include:***





- ***AL300ULM***
  - *2.5 amp @ 12VDC or 24VDC.*
- ***AL600ULM***
  - *6 amp @ 12VDC or 24VDC.*
- ***AL1024ULM***
  - *10 amp @ 24VDC.*
- ***AL400ULM***
  - *4 amp @ 12VDC  
or 3 amp @ 24VDC.*
- ***AL1012ULM***
  - *10 amp @ 12VDC.*

***For a red enclosure, add an "R" suffix to the part # e.g. AL300ULMR***

## Overview:

These multi-output access control power supply/charger is specifically designed for use with access control systems and accessories. These units convert a 115VAC / 60Hz input into five (5) individually protected 12VDC or 24VDC outputs (see specifications). Each output will route power to a variety of access control hardware devices including Mag Locks, Electric Strikes, Magnetic Door Holders, etc. These outputs will operate in both Fail-Safe and Fail-Secure modes. Controlled trigger input is achieved through normally open (N.O.) or normally closed (N.C.) supervised input or the polarity reversal from an FACP (Fire Alarm Control Panel). A form “C” dry output relay enables HVAC Shutdown, Elevator Recall or may be used to trigger auxiliary devices.

### M Series Power Supply Configuration Reference Chart:

Altronix Model Number	12VDC Total Output Current (amp)	24VDC Total Output Current (amp)	Outputs	Class 2 Rated Power Limited	115VAC 60Hz Input (current draw/amp)	Power Supply Board Input Fuse Rating	Agency Listings	UL Listings and File Numbers
AL300ULM	2.5	2.5	5	Yes	1.45	3.5 amp 250VAC		UL File # S4707 UL 1481 UL Listed Power Supply for Fire Protective Signaling Systems UL 294 UL Listed Access Control System Unit.
AL400ULM	4	3	5	Yes	1.9	3.5 amp 250VAC	 ME A Approved NYC Dept. of Buildings	UL 603 UL Listed for Burglar Alarms Systems. UL 1069 UL Listed Hospital Signaling and Nurse Call Equipment. “Signal Equipment” Evaluated to CSA 22.2 N205-M1983
AL600ULM	6	6	5	Yes	2.5	3.5 amp 250VAC	 California State Fire Marshal	UL File # S4707 UL 1481 UL Listed Power Supply for Fire Protective Signaling Systems UL 294 UL Listed Access Control System Unit. “Signal Equipment” Evaluated to CSA 22.2 N205-M1983
AL1024ULM	-	10	5	Yes	4.4	10 amp 250VAC		
AL1012ULM	10	-	5	Yes	1.9	3.5 amp 250VAC		UL File # BP617 UL 294 UL Listed Access Control System Unit. “Signal Equipment” Evaluated to CSA 22.2 N205-M1983

## Specifications:

### Input:

- Power input 115VAC 60Hz (see reference chart above).
- Fire Alarm Panel or Access Control System trigger inputs. N.O. or N.C. supervised trigger input and polarity reversal trigger input (4mA draw from FACP).

### Output:

- Five (5) individual power limited class 2 rated outputs.
- Current limit is 2.5 amp @ 12VDC or 24VDC per output (12VDC only for AL1012ULM and 24VDC only for AL1024ULM).
- Filtered and electronically regulated outputs.
- Thermal and short circuit protection with auto reset.
- Overload protection.
- Output relay energizes when unit is triggered (form “C” contact rated 1 amp @ 28VDC).

### Battery Backup:

- Built-in charger for sealed lead acid or gel type batteries.
- Automatic switch over to stand-by battery when AC fails.
- AL300ULXB, AL400ULXB, AL600ULXB and AL1012ULXB (Power Supply Board) maximum charge current .7 amp.  
AL1024ULXB (Power Supply Board) maximum charge current 3.6 amp).
- Zero voltage drop when switching over to battery backup.
- AL300ULM, AL400ULM and AL600ULM enclosure accommodates up to two (2) 12VDC/7AH batteries.
- AL1012ULM and AL1024ULM enclosure accommodates up to two (2) 12VDC/12AH batteries.

## Specifications (cont'd):

### Visual Indicators:

- DC output LED indicator.
- LEDs indicate condition of power outputs.
- Power & input trigger LED's.

### Supervision:

- AC fail supervision (form "C" contact).
- Low battery supervision (form "C" contact).

### Supervision (cont'd):

- Battery presence supervision (form "C" contact).
- Power fail supervision relay (form "C" contact rated 1 amp @ 28VDC).
- Power supply is complete with enclosure, cam lock, transformer and battery leads.

## Installation Instructions:

The unit should be installed in accordance with The National Electrical Code, as well as NFPA 72 and all applicable Local Regulations.

1. Mount the unit in desired location. It is recommended to first review the following tables for screw terminals, switch selection and LED status indications. This will greatly facilitate installation hook-up.

### Carefully review:

<b>Output Voltage &amp; Stand-by Specifications</b>	<i>(pgs. 3 &amp; 4)</i>	<b>Terminal Identification Table</b>	<i>(pg. 7)</i>
<b>LED Diagnostics</b>	<i>(pg. 6)</i>	<b>Typical Application Diagrams</b>	<i>(pgs. 8 &amp; 9)</i>

2. **Set output voltage:**

AL300ULM, AL400ULM and AL600ULM set desired DC output voltage by setting switch SW1 to the appropriate position on the power supply board. AL1012ULM is 12VDC only and AL1024ULM is 24VDC only.

*(Output Voltage and Stand-by Specification Charts below and pg. 4).*

3. Secure green lead to earth ground. Connect AC power (115VAC 60Hz to terminals marked [L, G, N] on power supply board *(Fig. 1, pg. 5)*.

Use 18 AWG or larger for all power connections (Battery, DC output, AC input).

Use 22 AWG to 18 AWG for power limited circuits (AC Fail/Low Battery reporting).

4. Measure output voltage before connecting devices. This helps avoid potential damage.

**Keep power limited wiring separate from non-power limited wiring (115VAC / 60Hz Input, Battery Wires). Minimum .25" spacing must be provided.**

5. Connect Fail-Secure type locking hardware (e.g. door strikes and electronic dead bolts) positive leads to terminals marked [1 through 5 POS (+) DC OUTPUT (ALARM)] on MOM5 board *(Fig. 1, pg. 5)* and the negative leads to terminals marked [NEG 1 through NEG 5] on MOM5 board *(Fig. 1, pg. 5)*.
6. Connect Fail-Safe type locking hardware (e.g. mag locks, door strikes and door holders) positive leads to terminals marked [6 through 10 POS (+) DC OUTPUT (STAND-BY)] on MOM5 board *(Fig. 1, pg. 5)* and negative leads to terminals marked [NEG 1 through NEG 5] on MOM5 board *(Fig. 1, pg. 5)*.
7. To trigger the unit from a FACP connect signaling circuit of FACP to terminals marked [- INPUT +] on MOM5 board *(Fig. 1, pg. 5)*. Polarity is shown in alarm condition. For latching fire alarm interface *(Fig. 5, 6, 7, pg. 9)*.  
**Note:** A 2.2K EOL must be installed across terminals marked [TRIGGER] on MOM5 board or the unit will remain in an alarm condition.
8. To trigger the unit using a supervised dry contact connect the 2.2K resistor in series for a N.C. trigger input and in parallel for N.O. trigger input *(Fig. 2, pg. 8)*.
9. Connect auxiliary devices triggered by the unit to the terminals marked [DRY OUTPUT N.O. & C] on MOM5 board for normally open output or terminals marked [DRY OUTPUT N.C. & C] on MOM5 board for normally closed output *(Fig. 1, pg. 5)*.  
**Note:** This relay will energize when the unit is triggered.
10. For Access Control applications batteries are optional. When batteries are not used a loss of AC will result in the loss of output voltage. Batteries must be lead acid or gel type if used. Connect one (1) 12VDC battery to terminals marked [+ BAT -] on power supply board *(Fig. 1, pg. 5)* for 12VDC operation. Use two (2) 12VDC batteries connected in series for 24VDC operation. (Battery leads included).
11. Connect supervisory trouble reporting devices to outputs marked [AC FAIL, LOW BAT] *(Fig. 1A, pg. 5)* and [Power Fail] *(Fig. 1, pg. 5)* supervisory relay outputs marked [N.O., C, N.C.] on power supply board. Use 22 AWG to 18 AWG for AC Fail & Low Battery reporting.  
**Note:** When used in fire alarm, burglar alarm or access control applications, "AC Fail" relay must be used to provide a visual indication of AC power on.
12. Please insure that the cover is secured with the provided Key Lock.

### **Output Voltage and Stand-by Specification Charts:**

#### **AL300ULM**

Output	Switch Position	4 hr. of Stand-by & 5 Minutes of Alarm	24 hr. of Stand-by & 5 Minutes of Alarm	60 hr. of Stand-by & 5 Minutes of Alarm
12VDC / 40 AH Battery	Closed	Stand-by = 2.5 amp Alarm = 2.5 amp	Stand-by = 1.0 amp Alarm = 2.5 amp	Stand-by = 300mA Alarm = 2.5 amp
24VDC / 12 AH Battery	Open	_____	Stand-by = 200mA Alarm = 2.5 amp	_____
24VDC / 40 AH Battery	Open	Stand-by = 2.5 amp Alarm = 2.5 amp	Stand-by = 1.0 amp Alarm = 2.5 amp	Stand-by = 300mA Alarm = 2.5 amp

#### **AL400ULM**

Output	Switch Position	4 hr. of Stand-by & 5 Minutes of Alarm	24 hr. of Stand-by & 5 Minutes of Alarm	60 hr. of Stand-by & 5 Minutes of Alarm
12VDC / 40 AH Battery	Closed	Stand-by = 4.0 amp Alarm = 4.0 amp	Stand-by = 1.0 amp Alarm = 4.0 amp	Stand-by = 300mA Alarm = 4.0 amp
24VDC / 12 AH Battery	Open	_____	Stand-by = 200mA Alarm = 3.0 amp	_____
24VDC / 40 AH Battery	Open	Stand-by = 3.0 amp Alarm = 3.0 amp	Stand-by = 1.0 amp Alarm = 3.0 amp	Stand-by = 300mA Alarm = 3.0 amp

#### **AL600ULM**

Output	Switch Position	4 hr. of Stand-by & 5 Minutes of Alarm	24 hr. of Stand-by & 5 Minutes of Alarm	60 hr. of Stand-by & 5 Minutes of Alarm
12VDC / 40 AH Battery	Closed	Stand-by = 6.0 amp Alarm = 6.0 amp	Stand-by = 1.0 amp Alarm = 6.0 amp	Stand-by = 300mA Alarm = 6.0 amp
24VDC / 12 AH Battery	Open	_____	Stand-by = 200mA Alarm = 6.0 amp	_____
24VDC / 40 AH Battery	Open	Stand-by = 6.0 amp Alarm = 6.0 amp	Stand-by = 1.0 amp Alarm = 6.0 amp	Stand-by = 300mA Alarm = 6.0 amp

#### **AL1012ULM**

Output	15 Minutes of Stand-by @ 10 amp
12VDC / 12 AH Battery	

#### **AL1024ULM**

Output	15 mins. Stand-by / 5 mins. Alarm	4 hr. Stand-by / 5 mins. Alarm	24 hr. Stand-by / 5 mins. Alarm	60 hr. Stand-by / 5 mins. Alarm
24VDC / 12 AH Battery	7.7 amp / 9.7 amp	1.2 amp / 9.7 amp	_____	_____
24VDC / 65 AH Battery	_____	7.7 amp / 9.7 amp	1.2 amp / 9.7 amp	200mA / 9.7 amp



## **LED Diagnostics:**

### **Power Supply Board**

LED		Power Supply Status
Red (DC)	Green (AC)	
ON	ON	Normal operating condition.
ON	OFF	Loss of AC, Stand-by battery supplying power.
OFF	ON	No DC output. Short circuit or thermal overload condition.
OFF	OFF	No DC output. Loss of AC. Discharged battery.

### **MOM5 - Output Module**

LED	ON	OFF
Power (Green)	Normal operation.	Power failure.
Trigger (Green)	Input is triggered (alarm condition).	No input trigger (non-alarm condition).
Outputs (Red)	Output tripped due to a short circuit or overload condition.	Normal operation.

## Terminal Identification Tables:

### Power Supply Board

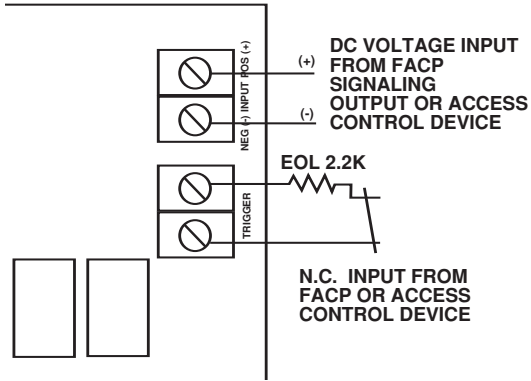
Terminal Legend	Function/Description
L, G, N	Connect 115VAC 60Hz to these terminals: L to hot, N to neutral, G to ground.
- DC +	AL300ULM - 12VDC/24VDC @ 2.5 amp to MOM5 board (power limited). AL400ULM - 12VDC @ 4 amp or 24VDC @ 3 amp to MOM5 board (power limited). AL600ULM - 12VDC/24VDC @ 6 amp to MOM5 board (non-power limited). AL1012ULM - 12VDC @ 10 amp to MOM5 board (non-power limited). AL1024ULM - 24VDC @ 10 amp to MOM5 board (non-power limited).
AC FAIL N.C., C, N.O.	Used to notify loss of AC power, e.g. connect to audible device or alarm panel. Relay normally energized when AC power is present. Contact rating 1 amp @ 28VDC. AC or brownout fail is reported within 1 minute of event. To delay reporting of up to 6 hrs., cut "AC delay" jumper and reset power to unit.
BAT FAIL N.C., C, N.O.	Used to indicate low battery condition, e.g. connect to alarm panel. Relay normally energized when DC power is present. Contact rating 1 amp @ 28VDC. A removed battery is reported within 5 minutes. Battery reconnection is reported within 1 minute. Low battery threshold: 12VDC output threshold set @ approximately 10.5VDC (N/A for AL1024ULM), 24VDC output threshold set @ approximately 21VDC.
+ BAT -	Stand-by battery connections. AL300ULXB, AL400ULXB and AL600ULXB (Power Supply Board) maximum charge current is .7 amp. AL1024ULXB (Power Supply Board) maximum charge current is 3.6 amp.

### MOM5 - Output Module

Terminal Legend	Function/Description
- DC INPUT +	12VDC or 24VDC from power supply.
TRIGGER	Dry normally open (N.O.) or normally closed (N.C.) supervised (2.2K EOL resistor) input trigger. A short or open circuit will transfer power from terminals marked [POS. (+) DC OUTPUT (STAND-BY)] to terminals marked [POS (+) DC OUTPUT (ALARM)].
- INPUT +	Wet (5-30VDC) input trigger. Applying voltage to these terminals in the polarity shown will transfer power from terminals marked [POS. (+) DC OUTPUT (STAND-BY)] to terminals marked [POS (+) DC OUTPUT (ALARM)] (e.g. fire alarm control panel indications circuit)..
NEG 1 THRU NEG 5	Supplies constant negative (-) voltage.
POS (+) DC OUTPUT (ALARM) 1-5	Supplies positive (+) voltage when dry trigger input or fire alarm wet trigger input is applied.
POS (+) DC OUTPUT (STAND-BY) 6-10	Supplies positive (+) voltage in normal condition. Power is removed when dry trigger input or fire alarm wet trigger input is applied.
N.C., C., N.O. DRY OUTPUT	When the MOM5 is triggered the C and N.O. terminals will open and the C and N.C. terminals will close. This output is used to trigger auxiliary devices. (e.g. HVAC Shutdown, Elevator Recall etc.) Contact rating 1 amp @ 28VDC.
N.C., C, N.O. POWER FAIL	Form "C" contacts used for reporting no voltage is present at [- DC input +] terminals. Under normal conditions, terminals N.O. and C are open, N.C. and C are closed. A loss of power causes N.O. and C to close and N.C. and C to open. Contact rating 1 amp @ 28VDC.

## Typical Application Diagrams:

Fig. 2 MOM5 module shown with wet and/or dry normally closed trigger inputs (Non-Latching):



MOM5 module shown with wet and/or dry normally open trigger inputs (Non-Latching):

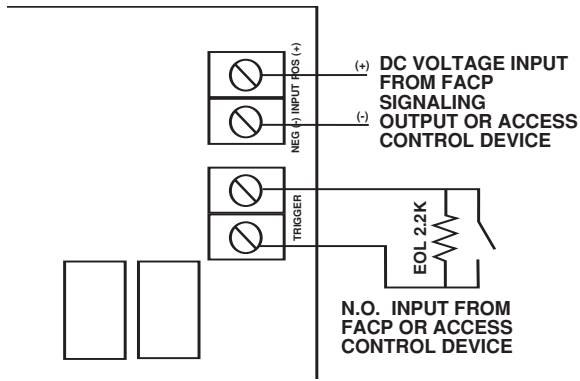


Fig. 3 - Two (2) or more MOM5 modules shown with wet and/or dry normally closed trigger inputs (Non-Latching):

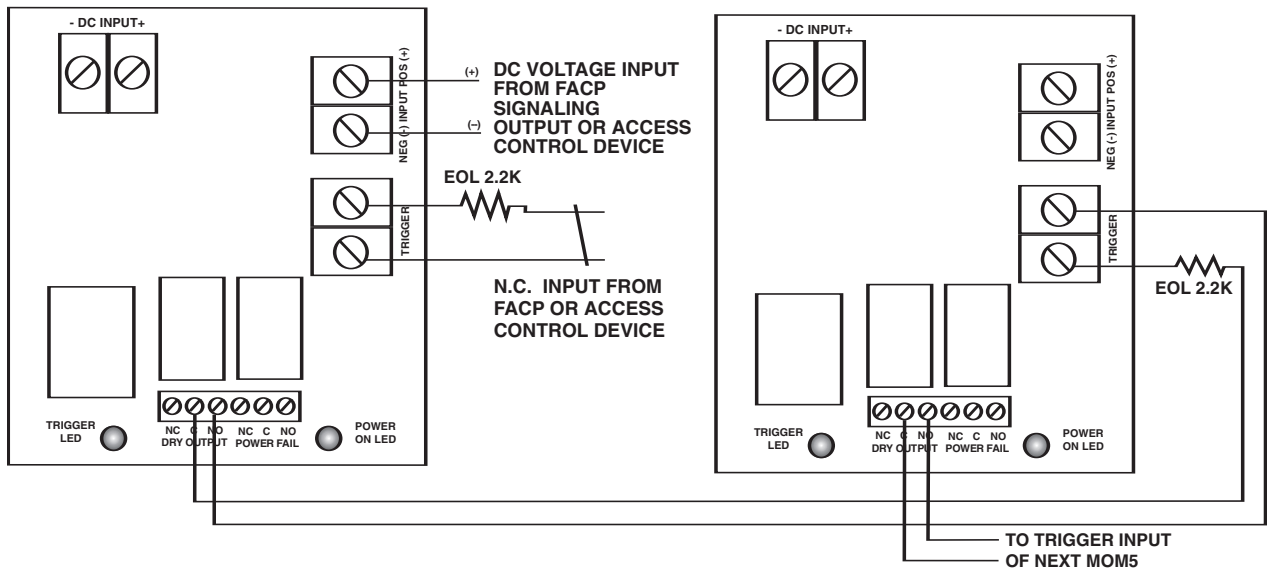
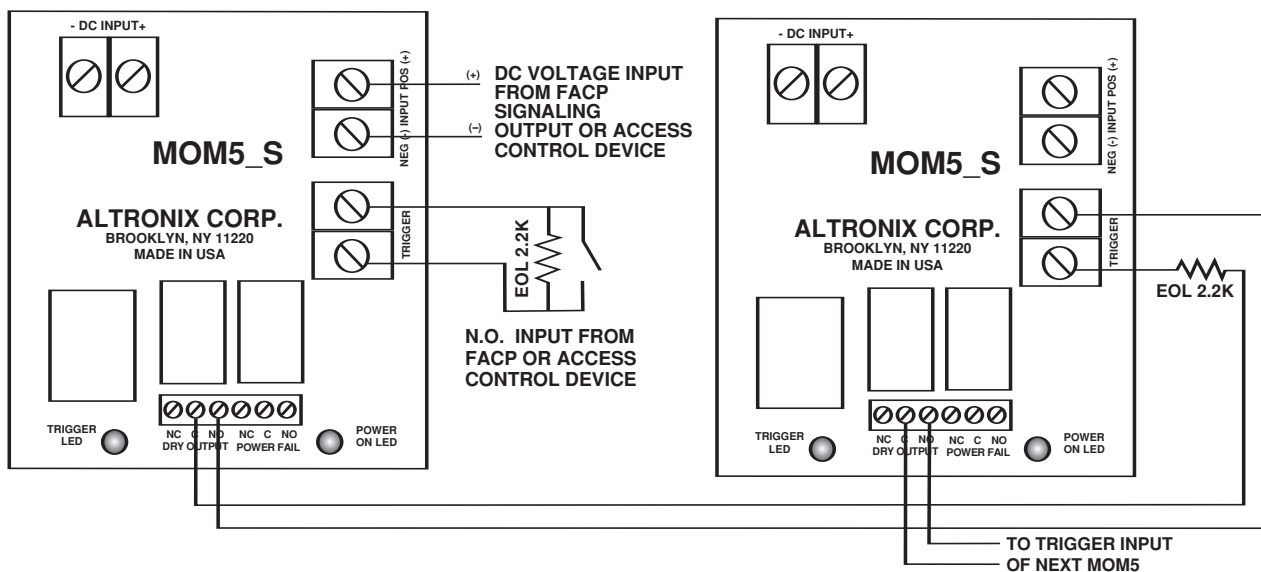
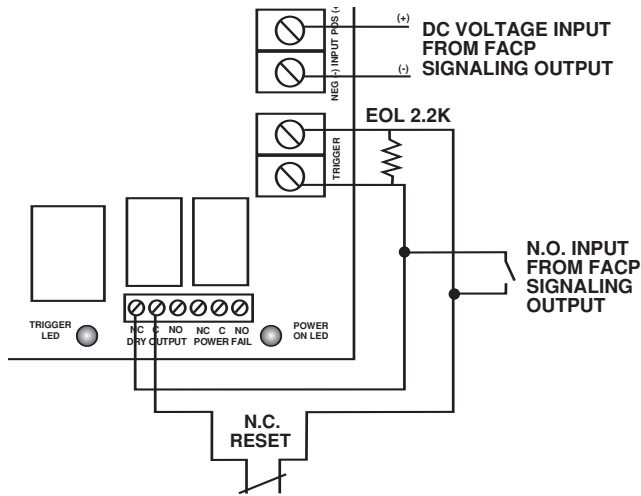


Fig. 4 - Two (2) or more MOM5 modules shown with wet and/or dry normally open trigger inputs (Non-Latching):

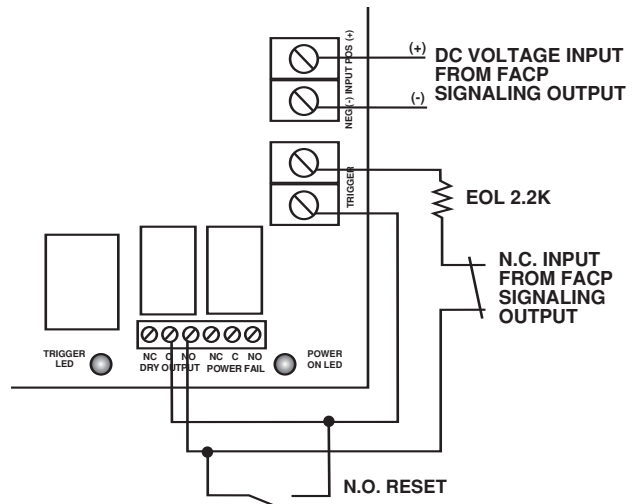


## Typical Application Diagrams (cont'd.):

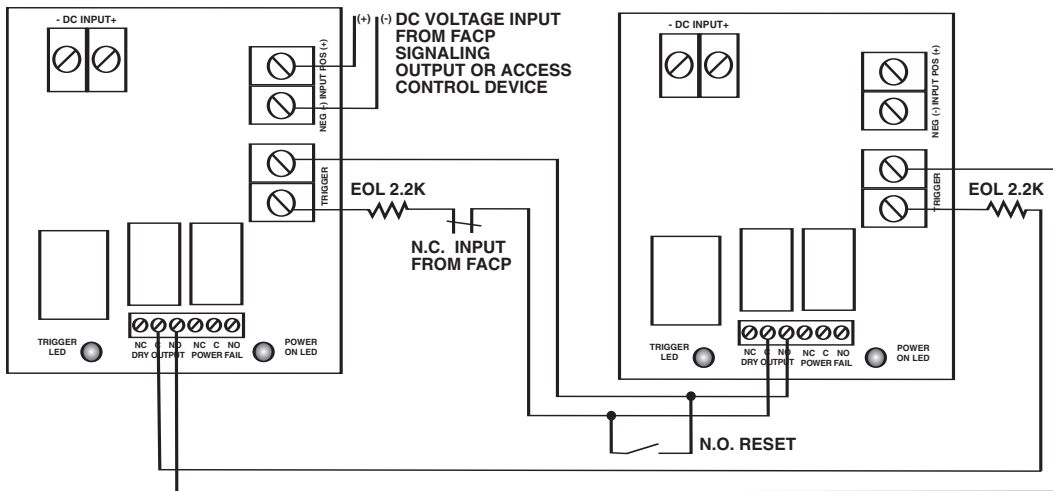
**Fig. 5** MOM5 module shown with with wet and/or dry normally closed fire alarm trigger inputs (**Latching with Manual Reset**):



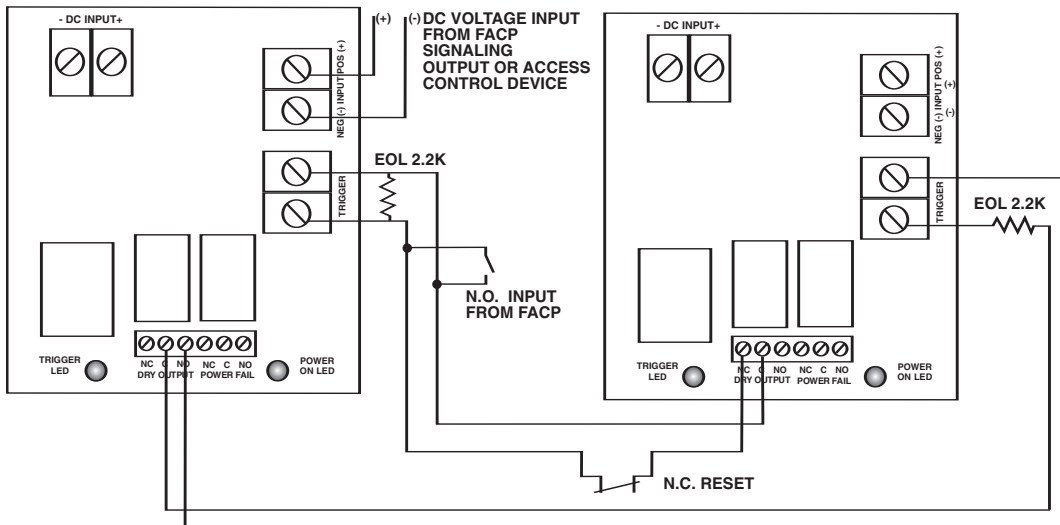
MOM5 module shown with with wet and/or dry normally open fire alarm trigger inputs (**Latching with Manual Reset**):



**Fig. 6** - Two (2) MOM5 modules shown with wet and/or dry normally open fire alarm trigger inputs (**Latching with Manual Reset**):

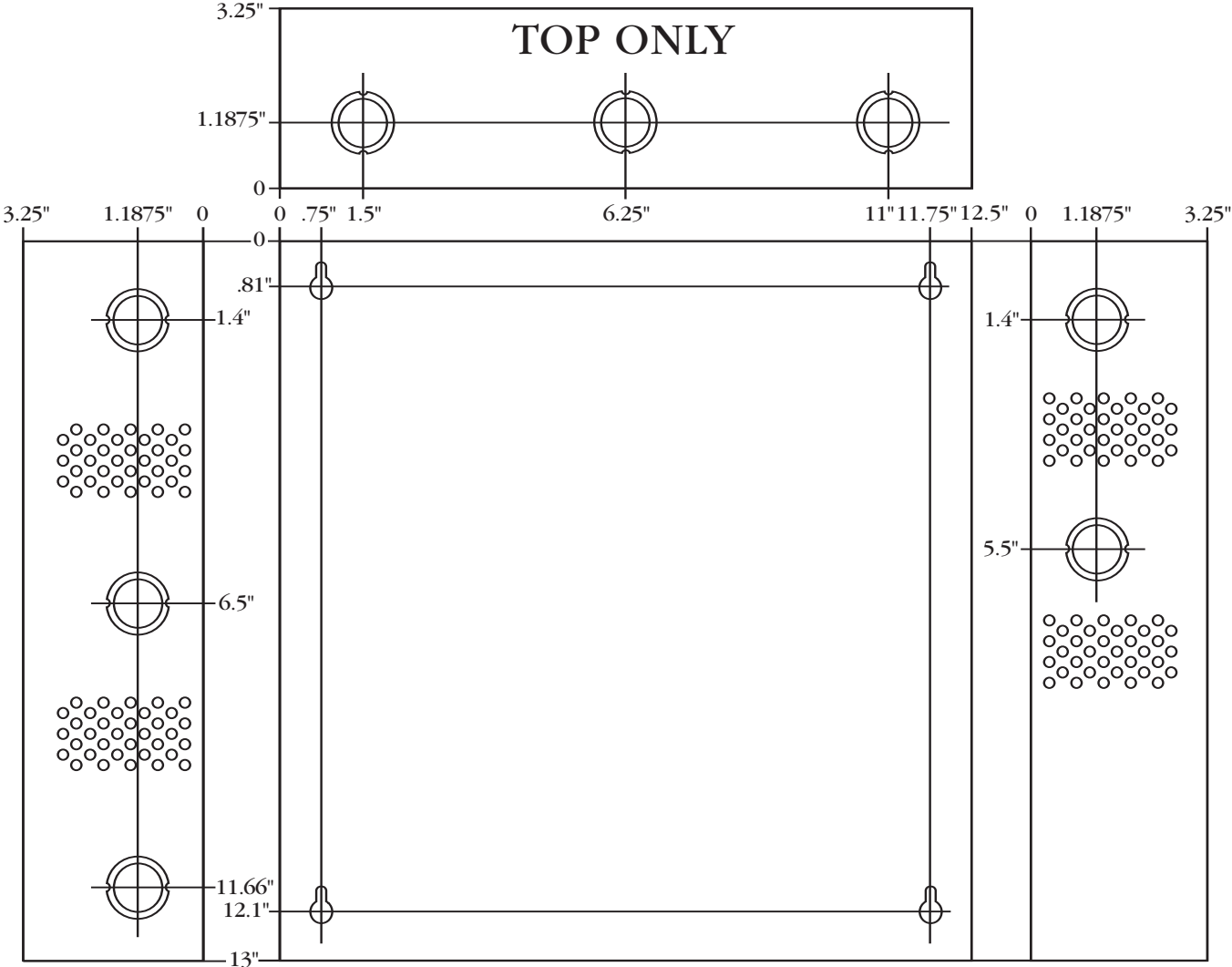


**Fig. 7** - Two (2) MOM5 modules shown with wet and/or dry normally closed fire alarm trigger inputs (**Latching with Manual Reset**):



**Enclosure Dimensions:**

- AL300ULM
  - AL400ULM
  - AL600ULM
- 13"H x 13.5"W x 3.25"D

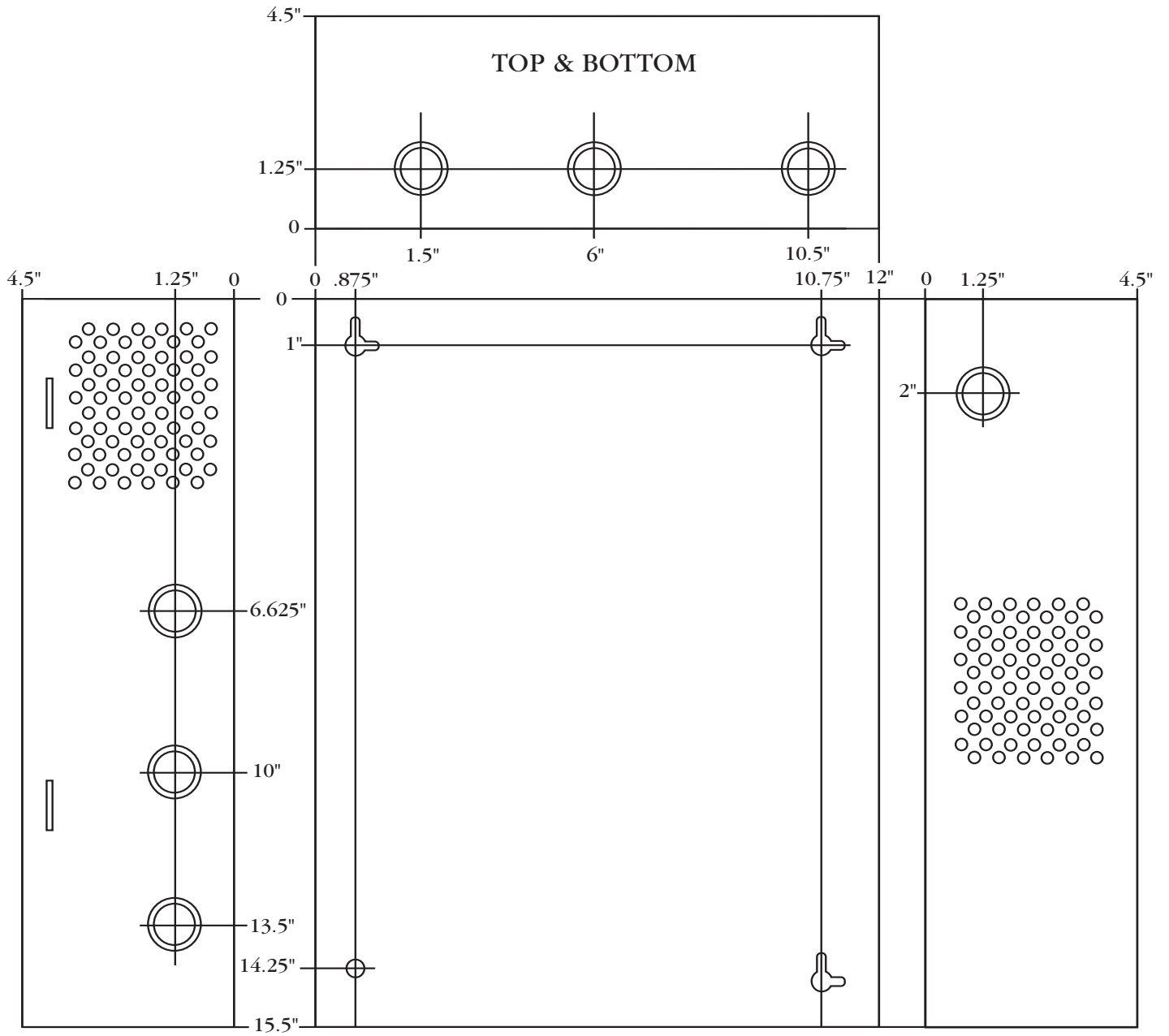


**Enclosure Dimensions:**

• AL1012ULM

• AL1024ULM

15.5"H x 12"W x 4.5"D



**Notes:**

Altronix is not responsible for any typographical errors.

---

Altronix Corp.  
140 58th Street, Brooklyn, New York 11220 USA, 718-567-8181, fax: 718-567-9056  
web site: [www.altronix.com](http://www.altronix.com), e-mail: [info@altronix.com](mailto:info@altronix.com), Lifetime Warranty, Made in U.S.A.  
IIM series H25D

