



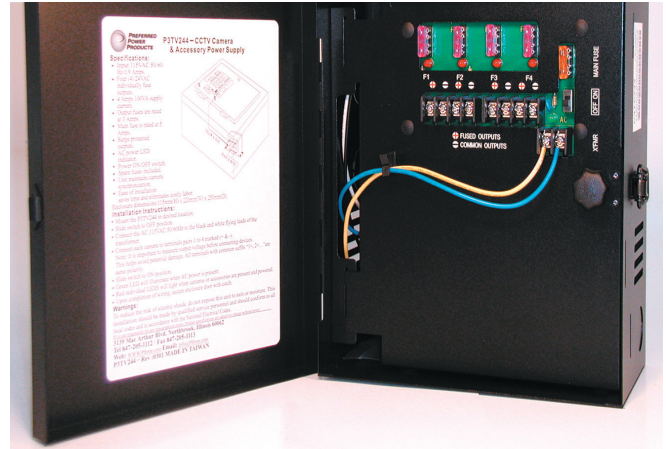
PRODUCT SPECIFICATION

DESCRIPTION

The P3TV124DC3 is a DC power supply and distribution module. It is designed with 4 individually fused outputs for powering CCTV cameras or access control devices. It will provide 12VDC via distribution to 4 fused outputs with a total of 3.0 Amps continuous supply current.

FEATURES

- Input 115VAC 50/60 HZ 1.0 Amps
- 3 Amps 12VDC continuous supply current
- Four 12VDC individually fused outputs
- Output fuses are rated at 3 Amps
- Main fuse is rated at 5 Amps
- Surge protected outputs
- DC power LED indicator
- Individual LED's for each output
- Power ON/OFF switch
- Spare fuses included
- Unit maintains camera synchronization
- Ease of installation saves time and eliminates costly labor



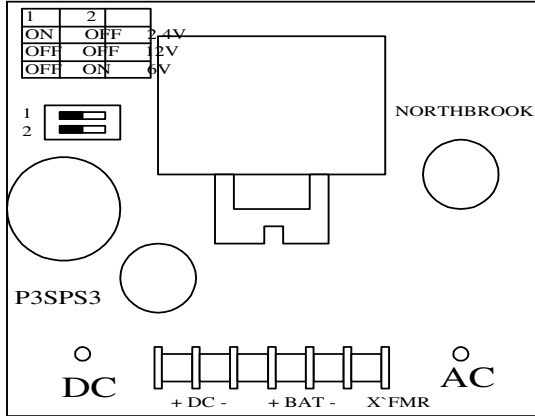
INSTALLATION INSTRUCTIONS

- Mount the P3TV124DC3 in desired location and secure
- Slide switch to OFF position
- Connect the AC 115VAC 50/60Hz to the black and white flying leads of the transformer
- Connect the green to an earth ground
- Connect each camera to output terminals 1 to 4 marked 1 to 4 (+ & -) on Circuit board I
- Slide switch to ON position
- Green LED will illuminate when DC power is present
- Red individual LED's will light when cameras or accessories are present and powered
- Upon completion of wiring secure enclosure

Warnings

To reduce the risk of electric shock, do not expose this product to rain or moisture
For continuous protection against hazard,
replace only with same type and rating of fuse

Terminal Identification



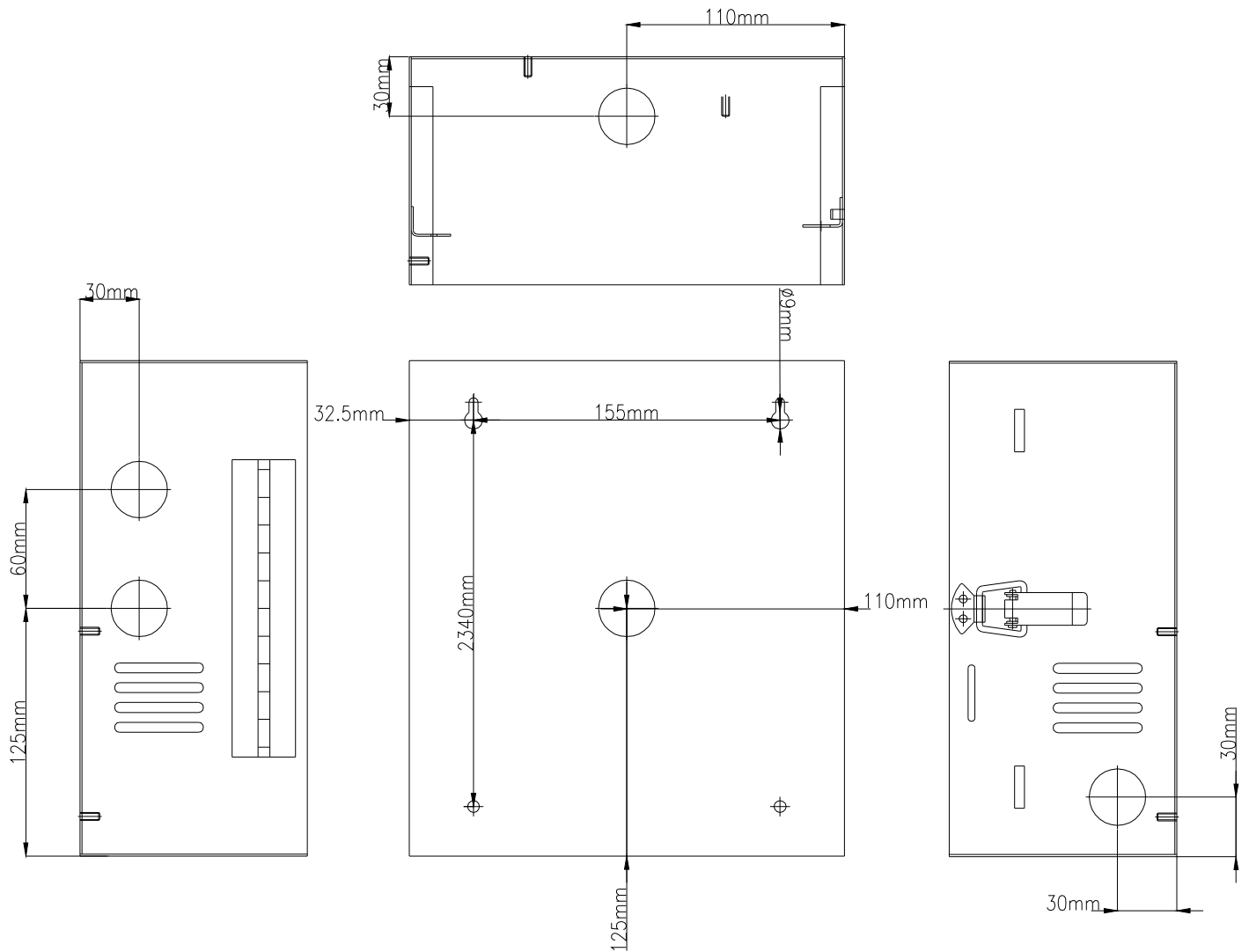
LED Diagnostics:

RED (DC)	GREEN (AC)	Power Supply Status
ON	ON	Normal operating condition.
ON	OFF	Loss of AC, Stand-by battery supplying power.
OFF	ON	No DC output. Short circuit or thermal overload condition.
OFF	OFF	Loss of AC. Discharged or no stand-by battery. No DC output.

Terminal Identification:

Terminal Legend	Function/Description
X FMR	Low voltage AC input (see Voltage Output/Transformer Selection Table). For 6VDC output use 16VAC or higher with 30VA power rating or higher. For 12VDC output use 16VAC or higher with 60VA power rating or higher. For 24VDC output use 28VAC with 100VA power rating or higher. Caution: Do not apply voltages above 28 VAC (28 VAC is maximum input rating)
+ BAT --	Stand-by battery connections. Maximum charge rate 350mA.
+ DC --	6VDC-12VDC-24VDC @ 3 amps continuous supply current.

Enclosure Dimensions:



Appendix list:

Item	Description	Dimension	Volume	Memo
1	Instruction Sheet	A4	1	
2	Wire	18AWG 28cm	2	Black
3	Wire	18AWG 28cm	2	White
4	Wire	18AWG 28cm	2	Blue
5	Wire	18AWG 28cm	2	Yellow
6	AC CORE	180cm	1	
7	Linear Transformer	110VAC/28VAC 100VA	2	

P3 is not responsible for any typographical errors. Product specifications are subject to change without notice



3139 MacArthur Blvd Northbrook IL 60062 Ph: 877-478-4733 Fax 847-205-1113 www.pthree.com