

# Brackets: Corner Mount Adapter

## PACA2 & PACA2B

### PRODUCT FEATURES:

- Durable powder coat finish
- All aluminum construction
- Threaded bolt inserts to make installation easier and quicker
- 60 lb load rating

### SHIPPING:

PACA2: 4 lbs 10" x 10" x 8"

PACA2B: 4 lbs 9" x 8" x 8"

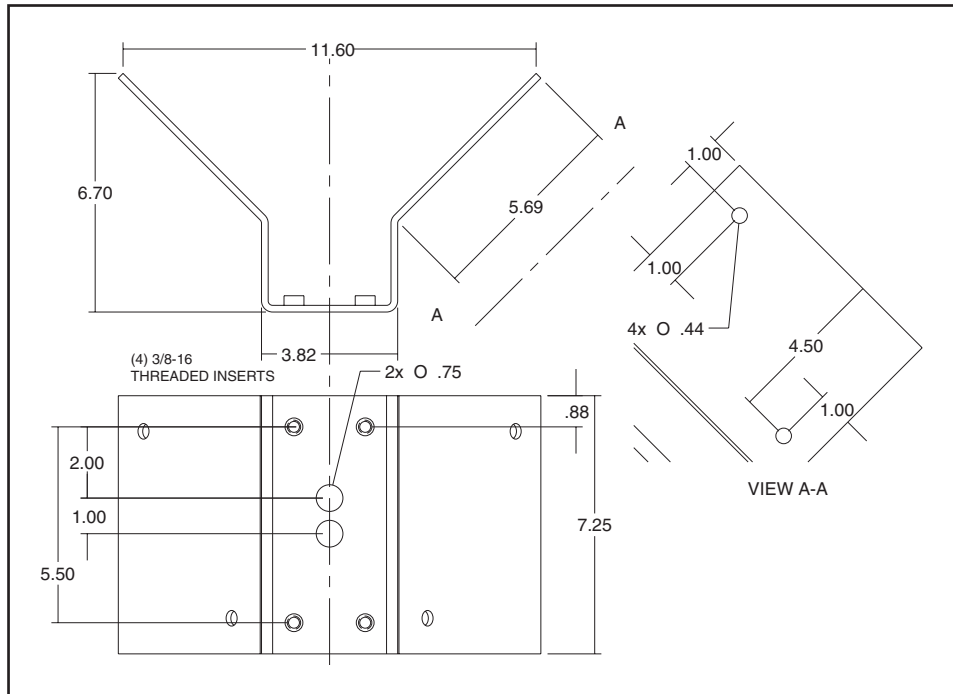


## DESCRIPTION & BID SPECIFICATIONS

The corner mount adapter shall be a Panasonic Model **PACA2**, **PACA2B** or equivalent. The adapter shall be constructed of aluminum, and works with the POD7CW, PWM20G, PWM20GB, PBWM10 and wall mount Ready-To-Go dome housings. The adapter mounts to the outside corners of walls and buildings. Both brackets feature a protective powder coat finish. The PACA2 has a black finish, where as the PACA2B has a beige finish.

DISTRIBUTED BY:

# PACA2 & PACA2B



DISTRIBUTED BY:

## Panasonic ideas for life

**Panasonic Digital Communications & Security Company**  
Unit of Matsushita Electric Corporation of America  
**Security Systems**

Executive Office: Three Panasonic Way, Secaucus, NJ 07094  
Zone Offices:

Eastern: Three Panasonic Way, Secaucus, NJ 07094 (201) 392-4546

Central: 1707 North Randall Road, Elgin, IL 60123 (847) 468-5211

Western: 6550 Katella Avenue, Cypress, CA 90630 (714) 373-7840

[www.panasonic.com/cctv](http://www.panasonic.com/cctv)