

PAPM3 & PAM3B

PRODUCT FEATURES:

- Durable powder coat finish
- All aluminum construction
- Threaded bolt inserts to make installation quicker and easier
- 60 lb load rating
- Mounts to poles 3"-15" or larger in diameter

SHIPPING:

PAPM3: 3 lbs 9" x 8" x 5"

PAPM3B: 3 lbs 9" x 8" x 5"

Brackets: Pole Mount Adapter

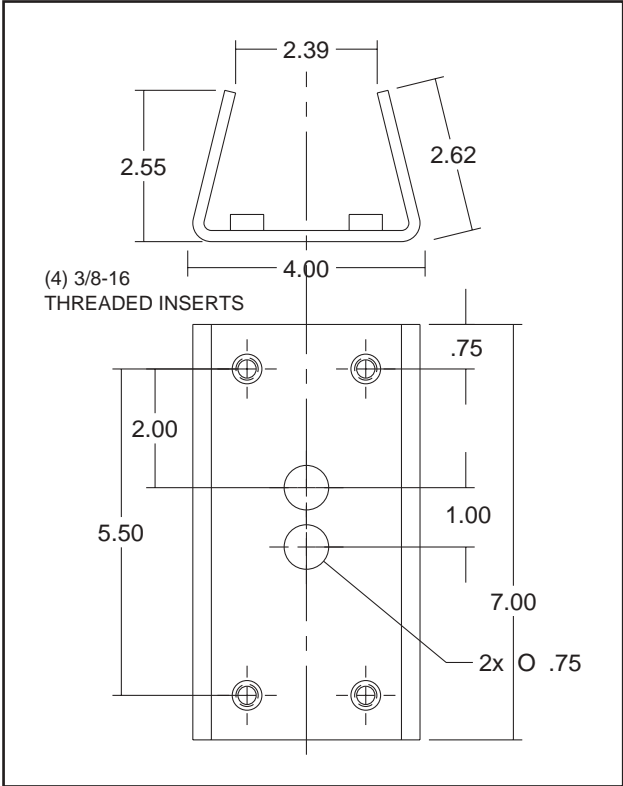


DESCRIPTION & BID SPECIFICATIONS

The pole mount adapter shall be a Panasonic Model **PAPM3**, **PAPM3B** or equivalent. The adapter shall be constructed of aluminum, and works with the POD7CW, PWM20G, PWM20GB, PBWM10 and wall mount Ready-To-Go dome housings. The adapter mounts to round poles with diameters between 3" to 15". Both brackets feature a protective powder coat finish. The PAPM3 has a black finish, where as the PAPM3B has a beige finish. Note: stainless steel straps are not included.

DISTRIBUTED BY:

PAPM3 & PAPM3B



DISTRIBUTED BY:

Panasonic ideas for life

Panasonic Digital Communications & Security Company
Unit of Matsushita Electric Corporation of America
Security Systems

Executive Office: Three Panasonic Way, Secaucus, NJ 07094

Zone Offices:

Eastern: Three Panasonic Way, Secaucus, NJ 07094 (201) 392-4546

Central: 1707 North Randall Road, Elgin, IL 60123 (847) 468-5211

Western: 6550 Katella Avenue, Cypress, CA 90630 (714) 373-7840

www.panasonic.com/cctv