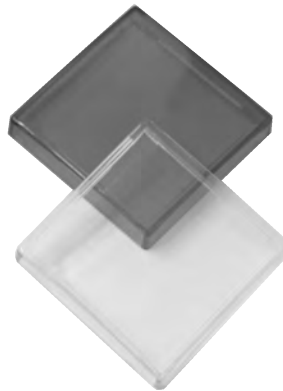




*In or Out...we make it Easy!®*



**Dimensions**  
2-3/4" x 4-1/2"  
(70.0 x 114.5mm)



*Red and green pushbutton inserts available in English and Spanish or French.*

**Now Available with Integrated Timer! Ask for 972-TD**

## Features & Benefits

- Now available with integrated 30 sec. fixed or adjustable timer (optional)
- Large 2" (50.8mm) square illuminated pushbutton
- Available in long life incandescent (972-i) or LED (972-L) bulbs (Specify when ordering)
- SPDT 10 Amp Contacts
- Stainless steel single gang faceplate
- Includes 2 messages and a handicap symbol (in English and Spanish or French)
- Includes 3 colored lenses (Green, Red, Clear)
- Momentary switch operation
- 12 and 24 VDC bulbs included
- UL recognized switch
- Two #6-32 stainless steel screws included

## Applications

- Commercial Centers
- Industrial Buildings
- Educational Facilities
- Retail Outlets
- Health Care Facilities
- Office Complexes

## 972 All-in-One Pushbutton

RCI's 972 Request to Exit Button makes it easy by combining three popular buttons in one box. The 972 is packaged with three lenses, and three messages so you are certain you have made the right selection with a 2" (50.8mm) request to exit button. This 2" (50.8mm) button is available with a long life incandescent or LED bulb. Now available with an optional 30 sec. fixed or adjustable delay timer.

## Options

### 972 With Incandescent Bulbs & Optional Timers

- 972i-ES-MO** .....English/Spanish Momentary
- 972i-EF-MO** .....English/French Momentary
- 972i-ES-TD30-MO** ....English/Spanish Momentary with 30sec. Fixed Timer
- 972i-EF-TD30-MO** .....English/French Momentary with 30sec. Fixed Timer
- 972i-ES-TD30A-MO** ...English/Spanish Momentary with 0-30sec. Adjustable Timer
- 972i-EF-TD30A-MO** ...English/French Momentary with 0-30sec. Adjustable Timer

## Highlights

- Optional integrated delayed timer models available
- SPDT switch is a UL recognized component
- Push To Exit, Exit messages and Handicap Symbol included
- Green, Red and Clear lenses included
- Long life LED or incandescent bulbs
- Reduces inventory SKU's
- ADA Compliant
- 2 Year Limited Warranty (bulb and LED not included)

### Options Cont'd

#### 972 With LED Bulbs & Optional Timers

- 972L-ES-MO** .....English/Spanish Momentary
- 972L-EF-MO** .....English/French Momentary
- 972L-ES-TD30-MO** ....English/Spanish Momentary with 30sec. Fixed Timer
- 972L-EF-TD30-MO** ....English/French Momentary with 30sec. Fixed Timer
- 972L-ES-TD30A-MO** ..English/Spanish Momentary with 0-30sec. Adjustable Timer
- 972L-EF-TD30A-MO** ..English/French Momentary with 0-30sec. Adjustable Timer



# Specifications

972

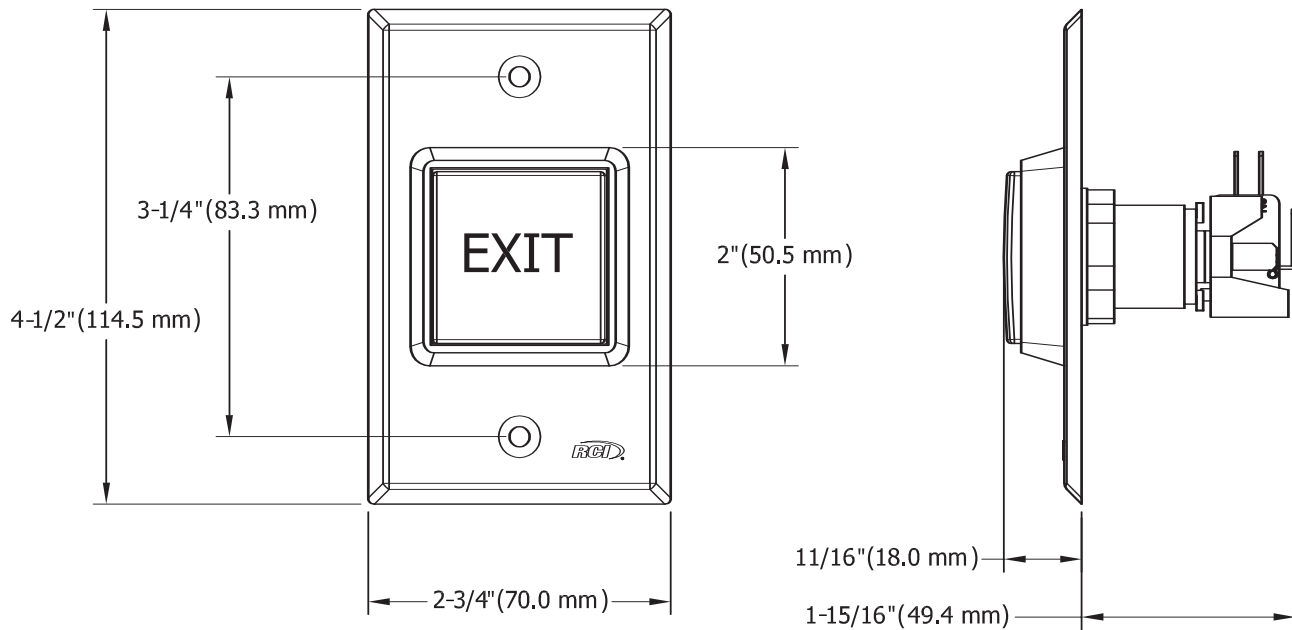


*In or Out... we make it Easy!*<sup>®</sup>

**NOTE:** Not to scale. Specifications are subject to change without notice.

Specifications					
Model	Bulbs	Switch Mode	Switch Configuration	Switch Rating	Standard Faceplate Finish
972-i	Incandescent	Momentary Action	SPDT N/O or N/C	10A@125VAC 	32D
972i-TD30	Incandescent	Momentary Action	SPDT N/O or N/C with Fixed Timer	2A@30VDC*	32D
972i-TD30A	Incandescent	Momentary Action	SPDT N/O or N/C with Adjustable Timer	2A@30VDC*	32D
972L	LED Cluster	Momentary Action	SPDT N/O or N/C	10A@125VAC 	32D
972L-TD30	LED Cluster	Momentary Action	SPDT N/O or N/C with Fixed Timer	2A@30VDC*	32D
972L-TD30A	LED Cluster	Momentary Action	SPDT N/O or N/C with Adjustable Timer	2A@30VDC*	32D

\* The SPDT Relay on timer board is a UL Recognized Component



**RCI also offers a complete line of Electromagnetic Locks, Electric Strikes, Electric Locks, Power Supplies, Switches, Keypads & Readers, Exit Devices, Systems & Door Hardware.**