



SID-460/460W/462/462W

1/3" High Resolution, Day & Night Dome Camera



Overview

The Samsung Techwin SID-460/460W/462/462W are redefining what you should expect for features and performance in a fixed mini-dome camera. Using our 4th generation W-IV Digital Signal Processing, the SID-460/460W/462/462W are able to produce an unparalleled color resolution of 580TV lines. In addition, this new DSP provides the industry's most comprehensive set of performance enhancing features such as digital image stabilization, 3D noise filtering, and many other features not found in any other camera in any class.



Acknowledged as 'Recommended' by Benchmark Magazine's Independent Testing



SID-460/462



SID-460W/462W

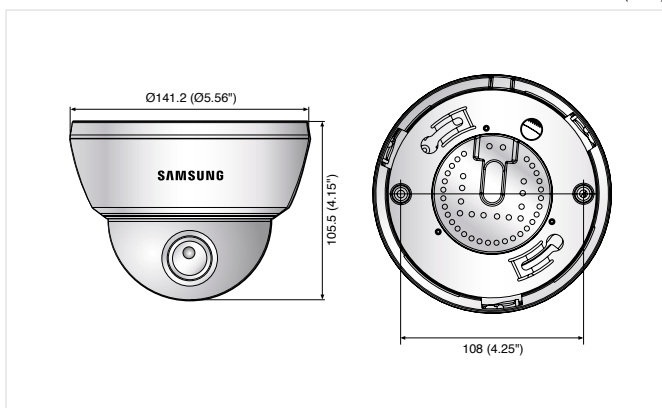


Features

- 1/3" Vertical double density color CCD
- Built-in W-IV, the latest generation of Winner DSP engine
- Built-in 3.6X (2.8 ~ 10mm) varifocal lens with auto iris
- Built-in SSNR II, Digital 3D Noise Reduction technology
- Day & Night with ICR (Infrared Cutoff Removal)
- High resolution of 580TV lines (Color), 700TV lines (B/W)
- Min. illumination of 0.15Lux@F1.2 (Color)
0.01Lux@F1.2 (B/W)
0.0006Lux@F1.2 (Color sens-up)
- Privacy masking with 8 programmable zones
- HLC (Highlight Compensation) • DIS (Digital Image Stabilization)
- Easy adjustment with 3-axis camera mount
- Intelligent motion detection : 8 zones
- RS-485 remote setup control
- Multi-language OSD • S/N ratio of 52dB
- Voltage : 12V DC
- Color : Silver (SID-460/462), Ivory (SID-460W/462W)

Dimensions

Unit : mm (inch)



Technical Specifications

	SID-460N/460WN	SID-460P/460WP	SID-462N/462WN	SID-462P/462WP
ELECTRICAL				
Input Voltage	12V DC		Dual (12V DC/24V AC), Built-in ground fault isolation transformer	
Power Consumption	Max. 3.5W			
VIDEO				
Imaging Device	1/3" Super HAD CCD			
Total Pixels	811(H) x 508(V)	795(H) x 596(V)	811(H) x 508(V)	795(H) x 596(V)
Effective Pixels	768(H) x 494(V)	752(H) x 582(V)	768(H) x 494(V)	752(H) x 582(V)
Scanning System	2 : 1 Interlace			
Synchronization	Internal		Internal / Line lock	
Frequency	H:15.734KHz/V:59.94Hz	H:15.625KHz/V:50Hz	H:15.734KHz/V:59.94Hz	H:15.625KHz/V:50Hz
Horizontal Resolution	Color : 580TV lines (Min.) / B/W : 700TV lines (Min.)			
Min. Illumination	Color : 0.15Lux (50 IRE@F1.2), 0.0006Lux (Sens-up, 256X) B/W : 0.01Lux (50 IRE@F1.2)			
S / N (Y signal)	52dB			
Video Output	CVBS : 1.0Vp-p / 75			
LENS				
Zoom Ratio	3.6X (Manual)			
Focal Length	2.8 ~ 10mm (F1.2)			
Max. Aperture Ratio	1 : 1.2(Wide) ~ 2.8(Tele)			
Min. Object Distance	0.2m (0.66ft)			
Angular Field of View	H : 94.4°(Wide) ~ 28°(Tele) / V : 69.2°(Wide) ~ 21°(Tele)			
Focus	Manual			
Iris Control	Auto			
PAN / TILT / ROTATE				
Pan Range	0° ~ 340°			
Tilt Range	0° ~ 146°			
Rotate Range	0° ~ 340°			
OPERATIONAL				
On Screen Display	Built-in (Multi-language support)			
Camera Title	On / Off			
Day & Night	Auto (ICR) / Color / B/W		On / Off (Electrical)	
Backlight Compensation	BLC / HLC / Off			
Motion Detection	On / Off			
Digital Image Stabilization	On / Off			
Privacy Masking	On / Off (8 Programmable zones)			
3D Noise Filter (SSNR II)	Low / Middle / High / Off			
Sens-up (Frame Integration)	Auto / Off (Selectable limit ~ 256X)			
Gain Control	Low / High / Off			
White Balance	ATW / AWC / Manual / Indoor / Outdoor			
Electronic Shutter Speed	Fixed (NTSC : 1/60, PAL : 1/50) / A.FLK			
Communication	RS-485			
Protocol	Samsung Techwin, Pelco-D			
Flip	On / Off			
Mirror	On / Off			
Freeze	On / Off			
ENVIRONMENTAL				
Operating Temperature / Humidity	-10°C ~ +50°C / 20% ~ 80% RH			
Storage Temperature / Humidity	-20°C ~ +60°C / 20% ~ 95% RH			
MECHANICAL				
Dimension (WxH)	Ø141.2 x 105.5mm (Ø5.56" x 4.15")			
Weight	560g (1.23 lb)		545g (1.2 lb)	
Color	Silver (SID-460/462), Ivory (SID-460W/462W)			
Certifications	FCC (Class A)	CE (Class A)	FCC (Class A)	CE (Class A)