

SID-460

SAMSUNG TECHWIN

SAMSUNG

1/3" High Resolution, Day & Night Dome Camera

NEW

Overview

The Samsung Techwin SID-460 is redefining what you should expect for features and performance in a fixed mini-dome camera. Using our 4th generation W-IV Digital Signal Processing, the SID-460 is able to produce an unparalleled color resolution of 580TV lines. In addition, this new DSP provides the industry's most comprehensive set of performance enhancing features such as digital image stabilization, 3D noise filtering, and many other features not found in any other camera in any class.



Features

- 1/3" Vertical double density color CCD
- Built-in W-IV, the latest generation of Winner DSP engine
- Built-in 3.6X (2.8 ~ 10mm) varifocal lens with auto Iris
- Built-in SSNR II, Digital 3D Noise Reduction technology
- Day & Night with ICR (Infrared Cutoff Removal)
- High resolution of 580TV lines (Color), 700TV lines (B/W)
- Min. Illumination of 0.15Lux@F1.2 (Color)
0.01Lux@F1.2 (B/W)
0.0006Lux@F1.2 (Color sens-up)
- Privacy masking with 8 programmable zones
- HLC (Highlight Compensation) • DIS (Digital Image Stabilization)
- Easy adjustment with 3-axis camera mount
- Intelligent motion detection : 8 zones • RS-485 remote setup control
- Multi-language OSD • S/N ratio of 52dB
- Voltage : 12V DC

Day & Night operation for great low light performance

The SID-460 requires only 0.15Lux to produce a normal color picture, and in night mode, the IR cut filter is removed to allow it to work in as little as 0.0006Lux in color mode with sens-up. This is due in part to the SSNR digital noise reduction. Low noise means savings on DVR storage space as well.



Conventional Camera



SID-460/462

Highlight compensation HLC

The SID-460 has the ability to reverse bright points of light in the picture (such as headlights) to black. This improves the ability of the entire system to display shades of grey elsewhere in the picture.



HLC Off

HLC On

Built-in varifocal lens

Built-in Varifocal Lens (2.8 to 10mm) which makes it perfect for just about any indoor application.



Normal

2.5X

Convenient multi-language OSD

The SID-460's multi-language OSD improves user convenience and enables easy access to various camera functions.



High quality color images of 580TV lines

The SID-460 delivers high quality 580TV lines images utilizing unique image processing technology which controls brightness signals precisely depending upon scene conditions.



Conventional Camera



SID-460/462

SID-460

SAMSUNG TECHWIN

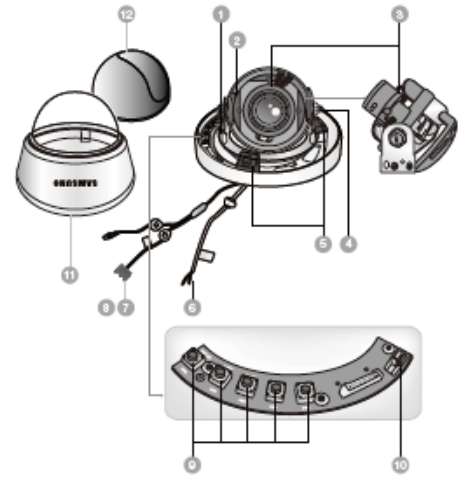
SAMSUNG

1/3" High Resolution, Day & Night Dome Camera

Technical Specifications

	SVD-460N	SVD-460P
ELECTRICAL		
Input Voltage	12VDC	
Power Consumption	Max. 3.5W	
VIDEO		
Imaging Device	1/3" Vertical double density interline CCD	
Total Pixels	811(H) x 508(V)	795(H) x 598(V)
Effective Pixels	768(H) x 494(V)	752(H) x 582(V)
Scanning System	2: 1 Interlace	
Synchronization	Internal	
Frequency	H: 15.734KHz / V: 59.94Hz	H: 15.625KHz / V: 50Hz
Horizontal Resolution	Color: 580TV lines (Min.) / B/W: 700TV lines (Min.)	
Min. Illumination	Color: 0.15Lux (50 IRE@F1.2), 0.0006Lux (Sens-up, 256X) B/W: 0.01Lux (50 IRE@F1.2)	
S/N (Y signal)	52dB	
Video Output	CVBS: 1.0Vp-p / 75Ω	
LENS		
Zoom Ratio	3.6X (Manual)	
Focal Length	2.8 ~ 10mm (F1.2)	
Max. Aperture Ratio	1: 1.2(Wide) ~ 2.8(Tele)	
Min. Object Distance	0.2m (0.66ft)	
Angular Field of View	H: 94.4°(Wide) ~ 28°(Tele) / V: 69.2°(Wide) ~ 21°(Tele)	
Focus	Manual	
Iris Control	Auto	
PAN / TILT / ROTATE		
Pan Range	0° ~ 340°	
Tilt Range	0° ~ 146°	
Rotate Range	0° ~ 340°	
OPERATIONAL		
On Screen Display	Built-in (Multi-language support)	
Camera Title	On / Off	
Day & Night	Auto (ICR) / Color / B/W	
Backlight Compensation	BLC / HLC / Off	
Motion Detection	On / Off (Output via communication)	
Digital Image Stabilization	On / Off	
Privacy Masking	On / Off (8 Programmable zones)	
3D Noise Filter (SSNR)	Low / Medium / High / Off	
Sens-up (Frame Integration)	Auto / Off (Selectable limit ~ 256X)	
Gain Control	Low / High / Off	
White Balance	ATW / AWC / Manual / Indoor / Outdoor	
Electronic Shutter Speed	Auto (NTSC: 1/60 ~ 1/120,000sec, PAL: 1/50 ~ 1/120,000) / Manual / A.FLK	
Communication Protocol	RS-485 STW, Pelco-D	
Flip	On / Off	
Mirror	On / Off	
Freeze	On / Off	
ENVIRONMENTAL		
Operating Temperature / Humidity	-10°C ~ +50°C / 20% ~ 80% RH	
Storage Temperature / Humidity	-20°C ~ +60°C / 20% ~ 95% RH	
MECHANICAL		
Dimension (WxH)	Ø141.2 x 105.5mm (Ø5.56" x 4.15")	
Weight	580g (1.23 lb)	

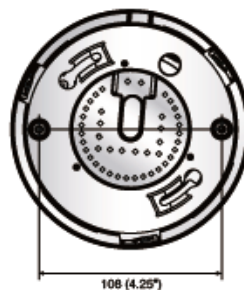
Exploded view



- 1 Pan Base
Control panning angle of camera
- 2 Rotate Base
Control rotating angle of camera
- 3 3.6X Vari-focal Lens Module
- 4 Rotate Base Holding Screw
Fix rotated position
- 5 Pan Base Holding Screws (Color: Silver)
Fix panned position
- 6 RS-485 Control Cable
- 7 Power Input Jack
- 8 Video Output Jack
- 9 Function Setup Button
 - SET Button: Displays the menu on the screen. Press this button to confirm status or after changing a selected item.
 - Left and Right Button: Used to move the cursor left or right in the menu screen or to change the value of the selected item.
 - Up and Down Button: Used to move the cursor up or down in the menu screen to select a desired menu item.
- 10 Video Output to Monitor
- 11 Dome Cover
- 12 Shield Case

Dimensions

Unit : mm (inch)



Adjusting the pan, tilt and rotation

