

30x/37x Network PTZ Dome Camera SNP-3301/3370

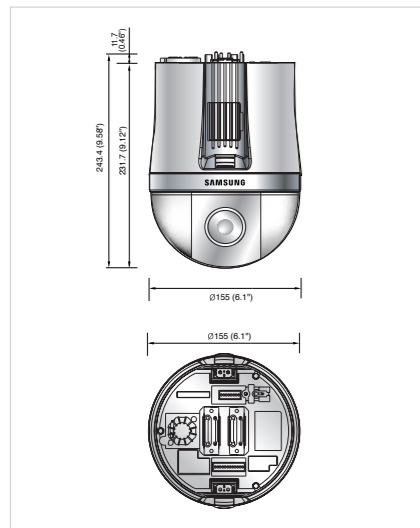


Specifications

		SNP-3301	SNP-3370
CAMERA			
Image	Device	Vertical Double Density Interline CCD	
	Size	1/4"	
Scanning	Scan	Interlaced Scan	
	Pixels	Total NTSC : 811 x 508 / PAL : 795 x 596	Effective NTSC : 768 x 494 / PAL : 752 x 582
Min. Scene Illumination	Horizontal Frequency (INT.)	NTSC : 15,734Hz / PAL : 15,625Hz	
	Vertical Frequency (INT.)	NTSC : 59.94Hz / PAL : 50Hz	
Functions	Color	0.7Lux (50 IRE@F1.6, Sens-up off)	
	B/W	0.03Lux (50 IRE@F1.6, Sens-up off)	
	Number of Privacy Zone	8ea (Rectangular method)	
	Day & Night	Auto (ICR) / Color / B/W	
	Wide Dynamic Range	NTSC : On / Off (128x) / PAL : On / Off (160x)	
	Digital Zoom	On / Off (1x ~ 12x)	
	Electronic Shutter Speed	NTSC : 1/60 ~ 1/10Ksec / PAL : 1/50 ~ 1/10Ksec	
	Sens-up (Frame Integration)	On / Off (Selectable limit ~ 256x)	
	Backlight Compensation	WDR / BLC / HLC / Off	
	AGC	Low / Medium / High / Off	
Resolution	White Balance	ATW / AWC / Manual / Indoor / Outdoor	
	3D Noise Filter (SSNR II)	Low / Medium / High / Off	
	Digital Image Stabilization	On / Off	
	Horizontal / Vertical	550TV lines / 350TV lines	
Video Output	S/N Ratio	VBS 1.0Vp-p	
	Focal Length	3.5 ~ 115.5mm	3.5 ~ 129.5mm
Lens	Zoom Ratio	30x optical	
	Zoom Movement Speed	2.2x/sec	
	Aperture Ratio	F1.6(Wide) ~ F3.9(Tele)	
	Min. Object Distance	1.8m (5.91ft)	
	Angular Field of View	H : 55.5°(Wide) ~ 1.59°(Tele) / V : 42.5°(Wide) ~ 1.19°(Tele)	
	Lens Drive Type	Auto Iris (DC)	
Pan / Tilt	Mount Type	Board-in type	
	Speed	Manual Pan / Tilt 0.024 ~ 120°/sec	Preset Pan / Tilt 500°/sec
	Range	0 ~ 360° (Endless) / 190° (-5° ~ 185°)	
	Number of Preset	255ea	
Remote Control	Preset Accuracy	±0.1°	
	PTZ Mode	Preset, Swing, Group, Tour, Trace	
Environmental Conditions	Communication Interface	RS-485/422, Coaxial control	
	Operating Temperature	-10°C ~ +50°C (+14°F ~ +122°F)	
	Operating Humidity	20% ~ 80% RH	
Power	Power Requirement	NTSC : 24V AC, 60Hz / PAL : 24V AC, 50Hz	
	Power Consumption	Max. 16W	
Physical Specification	Dimensions (WxH)	Ø155 x 243.4mm (Ø6.1" x 9.58")	
	Weight	2Kg (4.41 lb)	
NETWORK			
Network Board	OS	Embedded Linux	
	Hardware	Flash memory 128M byte	RAM 256M byte
Alarm	Ethernet	RJ-45 (10/100 Base-T)	
	Video Out	VBS 1.0Vp-p	
Video	Audio	Line in / Line out	
	SD Memory Slot	Yes (SD / SDHC)	
Compression	Input / Output	4ea / 2ea	
	Resolution	H.264 / MPEG4 / MJPEG multiple codec	
	4CIF	NTSC : 704 x 480 / PAL : 704 x 576	
	CIF	NTSC : 352 x 240 / PAL : 352 x 288	
Streaming	QCIF	NTSC : 176 x 120 / PAL : 176 x 144	
	Max. Frame Rate	NTSC : 30fps at all resolutions / PAL : 25fps at all resolutions	
	H.264 / MPEG4 Quality	5 levels (Verylow, low, medium, high, very high)	
	MJPEG Quality	5 levels (Verylow, low, medium, high, very high)	
Audio	Bitrate Control	CBR	
	Streaming	H.264 + MJPEG or MPEG-4 + MJPEG dual streaming	
Motion Detection	Compression	ADPCM (8KHz)	
	Intelligent Motion Detection	Yes	
Protocol	Network	Motion Detection, Appear/Disappear	
	Streaming	IP	
Connection	Security	IPv4	
	DDNS	TCP/IP, UDP/IP, RTP (UDP), RTP (TCP), RTSP, NTP	
Event Management	Maximum User	HTTP, DHCP, FTP, SMTP, ICMP, IGMP, ARP, DNS, DDNS	
	User Access Level	Unicast, Multicast	
Web Browser Viewer (Default)	Administrator	Password protection, IP address filtering, User access log	
	Guest	Supporting samsung DDNS and public DDNS services	
Video Player	Additional User	Max. 10 users	
	Application	Full control privilege	
Video Management Software	Level	Live monitoring only	
	IP Installation	Configurable privilege individually	
Application	Alarm Input	Pre/Post alarm image buffering, Image recording : SD memory	
	IP Installation	Event notification, Alarm out activation, Autorun	
Application	Schedule	JPEG Image transfer : FTP, Image recording : SD memory, PTZ function	
	Supported OS	Windows XP, VISTA 7	
Application	Supported Browser	Internet Explorer 6.0 or higher	
	PTZ Control	Yes	
Application	S/W Upgrade	Using web viewer UI	
	RTP / RTSP Streaming	Quicktime, VLC player	
Application	Video Management Software	Samsung CMS S/W, 3rd party S/W application	
	IP Installation	IP installer application for all Samsung IP devices	

Dimensions

Unit : mm (inch)



The Eco mark represents Samsung Techwin's will to create environment-friendly products, and indicates that the product satisfies the EU RoHS Directive.

Design and specifications are subject to change without notice.



37x 30x Network Monitoring

See Closer, Faster, Easier



SNP-3301/3370

30x/37x Network PTZ Dome Camera

- H.264, MPEG-4, MJPEG multiple encoding
- Powerful 30x/37x optical zoom
- Real-time 30(25)fps at 4CIF
- Intelligent video analysis (Appear/Disappear)



SAMSUNG TECHWIN CO., LTD.
701, Sampyeong-dong, Bundang-gu, Seongnam-si, Gyeonggi-do Korea 463-400
Tel : +82-70-7147-8741 ~ 8749, 8752-8760 Fax : +82-31-8018-3745
www.samsungsecurity.com www.samsungipolis.com

SAMSUNG TECHWIN AMERICA Inc.
1480 Charles Willard St, Carson, CA 90746, UNITED STATES
Tel Free : +1-877-213-1222 Fax : +1-310-632-2195
www.samsungcctvusa.com

SAMSUNG TECHWIN EUROPE LTD.
Samsung House, 1000 Hillwood Drive, Hillwood Business Park
Chertsey, Surrey, UNITED KINGDOM KT16 0PS
Tel : +44-1932-45-5300 Fax : +44-1932-45-5325

TIANJIN SAMSUNG TECHWIN OPTO-ELECTRONICS CO., LTD.
No. 11 Wei 6 Street, Micro-Electronic Industrial Park
Jingang Road, Tianjin, P.R. CHINA 300385
Tel : +86-22-23887788 Fax : +86-22-23887788

DISTRIBUTED BY



04-2010

www.samsungipolis.com

I.E-1004

Optical Zoom 30x/37x

Network Camera with Superb Zoom Power



The SNP-3301/3370 provides a staggering 360x/444x zoom with its 30x/37x optical zoom and 12x digital zoom. Capable of zooming on distant objects, this network camera is ideal for detailed monitoring both indoors and outdoors, especially where objects are spread across a broad area.

37x



Network PTZ Dome Camera SNP-3301/3370



H.264 / MPEG-4 / MJPEG Multiple Encoding



The SNP-3301/3370 is equipped with highly-efficient H.264 video compression that supports MPEG-4 and MJPEG, allowing flexible choices depending on your work habits and network environment. H.264 minimizes video file sizes and network loads during file transfers, making it the perfect video monitoring solution for even the lowest network bandwidth and smallest storage size.



Panning speed of 500°/sec and Wide Range of Panning/Tilting



The SNP-3301/3370's pan and tilt operations are blisteringly fast at up to 500° per second, which helps the camera capture objects quickly and accurately. The maximum monitoring range is up to 360° of the pan and 190° of the tilt range.



190° Tilting Range

360° Panning Range

Intelligent Video Analytics



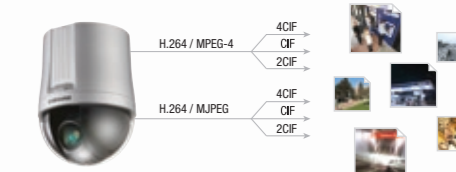
As for monitoring aspects, the camera can detect the appearance and disappearance of objects in an area, and then save and transfer the object images to the CMS server.



Multi Streaming



Multi streaming support in the SNP-3301/3370 lets it transfer a maximum of 6 different types of real-time videos per resolution or per codec at 30fps (NTSC) to give the user a variety of video transfer options for optimum performance.



SD Memory Card



The SNP-3301/3370 provides an SD memory card slot that can be used to save and backup event video data.

Various Exclusive Accessories

The SNP-3301/3370 provides a wide selection of accessories that facilitate installations anywhere, such as ceilings, walls, poles and parapets.

