



# SVD-4400

1/3" High Resolution, Day & Night Vandal-Resistant Dome Camera

**NEW**

## Overview

The SVD-4400 crescent outdoor vandal-resistant dome camera sports a high-powered 3.6X (2.8 ~ 10mm) optical zoom inside its exceptionally durable high-strength body. Its 580TV lines resolution and ultra-low light capability of 0.15Lux provide noise-free, crystal clear color images even in the darkest places. Various user-friendly options include a multiple-language OSD, DIS (Digital Image Stabilization), as well as high light and backlight compensation.

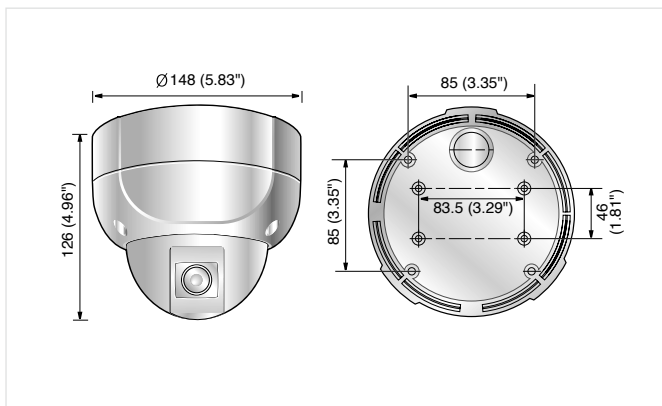


## Features

- 1/3" Super HAD color CCD
- Based on W-IV, the latest generation of Winner DSP engine
- Built-in 3.6X (2.8 ~ 10mm) varifocal lens with auto iris
- Built-in SSNR II, digital 3D noise reduction technology
- Day & Night with ICR (Infrared Cutoff Removal)
- High resolution of 580TV lines (Color), 700TV lines (B/W)
- Min. illumination of 0.15Lux@F1.2 (Color)  
0.01Lux@F1.2 (B/W)  
0.0006Lux@F1.2 (Color sens-up)
- Privacy masking with 8 programmable zones
- HLC (Highlight Compensation)
- DIS (Digital Image Stabilization)
- IP66 Protection against rain & wind
- Rugged, high impact polycarbonate dome cover and aluminum body
- Two types of installation (Flush or Surface Mount)
- Motion detection                      RS-485 remote setup control
- Multi-language OSD                S/N ratio of 52dB
- Dual voltage : 24V AC / 12V DC

## Dimensions

Unit : mm (inch)



## Technical Specifications

	SVD-4400N	SVD-4400P
<b>ELECTRICAL</b>		
Input Voltage	Dual (12V DC/ 24V AC)	
Power Consumption	Max. 3.5W	
<b>VIDEO</b>		
Imaging Device	1/3" Super HAD CCD	
Total Pixels	811(H) x 508(V)	795(H) x 596(V)
Effective Pixels	768(H) x 494(V)	752(H) x 582(V)
Scanning System	2 : 1 Interlace	
Synchronization	Internal / Line lock	
Frequency	H : 15.734KHz / V : 59.94Hz	H : 15.625KHz / V : 50Hz
Horizontal Resolution	Color : 580TV lines (Min.) / B/W : 700TV lines (Min.)	
Min. Illumination	Color : 0.15Lux (50 IRE@F1.2), 0.0006Lux (Sens-up, 256X) B/W : 0.01Lux (50 IRE@F1.2)	
S / N (Y signal)	52dB	
Video Output	CVBS : 1.0Vp-p / 75Ω	
<b>LENS</b>		
Zoom Ratio	3.6X (Manual)	
Focal Length	2.8 ~ 10mm (F1.2)	
Max. Aperture Ratio	1 : 1.2(Wide) ~ 2.8(Tele)	
Min. Object Distance	0.2m (0.66ft)	
Angular Field of View	H : 94.4°(Wide) ~ 28°(Tele) / V : 69.2°(Wide) ~ 21°(Tele)	
Focus	Auto / Manual / One-push	
Iris Control	Auto / Manual	
<b>PAN / TILT / ROTATE</b>		
Pan Range	0° ~ 340°	
Tilt Range	0° ~ 146°	
Rotate Range	0° ~ 340°	
<b>OPERATIONAL</b>		
On Screen Display	Built-in (Multi-language support)	
Camera Title	On / Off	
Day & Night	Auto (ICR) / Color / B/W	
Backlight Compensation	BLC / HLC / Off	
Motion Detection	On / Off	
Digital Image Stabilization	On / Off	
Privacy Masking	On / Off (8 Programmable zones)	
3D Noise Filter (SSNR II)	On / Off	
Sens-up (Frame Integration)	Auto / Off (Selectable limit ~ 256X)	
Gain Control	Low / High / Off	
White Balance	ATW / AWC / Manual / Indoor / Outdoor	
Electronic Shutter Speed	Fixed (1/60 / Flickerless)	Fixed (1/50 / Flickerless)
Communication	RS-485	
Protocol	Samsung Techwin, Pelco-D	
Flip	On / Off	
Mirror	On / Off	
<b>ENVIRONMENTAL</b>		
Operating Temperature / Humidity	-10°C ~ +50°C / 20% ~ 80% RH	
Storage Temperature / Humidity	-20°C ~ +60°C / 20% ~ 95% RH	
<b>MECHANICAL</b>		
Dimension (WxH)	Ø148 x 126mm (Ø5.83" x 4.96")	
Weight	1.3Kg (2.87 lb)	
Ingress Protection	IP66	
Certifications	FCC (Class A), UL/cUL listed	CE (Class A)