

# VA6100/VA6200 Series Switcher

## SEQUENTIAL, VIDEO, WITH ALARMS

### Product Features

- 120 or 230 VAC Input
- 4, 8, 12, or 20 Inputs (Terminating or Looping)
- Single Output (VA6100 Series)
- Dual Outputs (VA6200 Series)
- Alarm Inputs Standard Feature
- Supports NTSC and PAL Video
- Camera ID (up to 20 characters) and External Trigger Standard on All Models



VA6220 SWITCHER

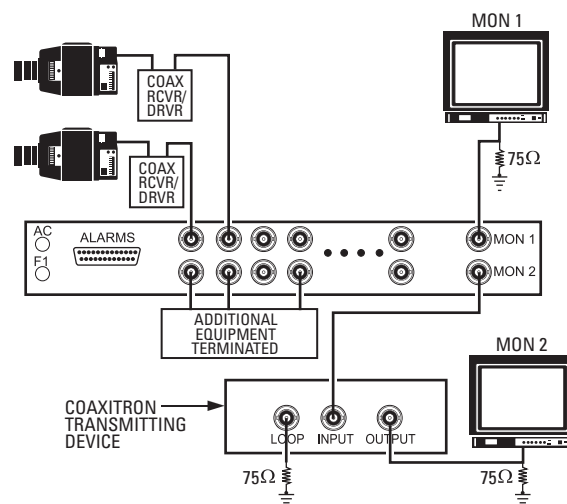
The **VA6100** and **VA6200 Series** are competitively priced sequential switchers designed to switch 4, 8, 12, or 20 cameras manually or automatically to one or two monitors.

The **VA6100 Series** switchers are single monitor output switchers without Coaxitron®-control compatibility. The **VA6200 Series** switchers are equipped with a second monitor output for Coaxitron compatibility.

The **VA6100** and **VA6200** switchers are equipped with alarm inputs. If an alarm occurs, the switcher will automatically lock and direct the input to the currently selected monitor. When an alarm is cleared, the unit will return to its previously operating dynamic state. Multiple alarms sequence at a 1 second dwell time.

All models include external trigger and camera ID as standard features. Camera dwell time can be set individually or globally for all cameras. The dwell time is adjustable from 1 to 60 seconds, in one-second increments.

In addition, all models feature terminating inputs that can be easily converted to looping inputs via jumpers on the motherboard. Monitor output for camera ID is also changeable via jumpers on the motherboard.



BRIDGING/LOOPING CONFIGURATION WITH COAXITRON CONTROL



# TECHNICAL SPECIFICATIONS

## MODELS

### Single Output

VA6104	4-input, single-output sequential switcher, 4 alarm inputs, 120 VAC
VA6104-X	Same as VS6104 except 230 VAC
VA6108	8-input, single-output sequential switcher, 8 alarm inputs, 120 VAC
VA6112	12-input, single-output sequential switcher, 12 alarm inputs, 120 VAC
VA6112-X	Same as VS6112 except 230 VAC
VA6120*	20-input, single-output sequential switcher, 20 alarm inputs, 120 VAC

### Dual Output

VA6204	4-input, dual-output, sequential switcher, 4 alarm inputs, 120 VAC
VA6204-X	Same as VA6204 except 230 VAC
VA6208	8-input, dual-output, sequential switcher, 8 alarm inputs, 120 VAC
VA6212	12-input, dual-output, sequential switcher, 12 alarm inputs, 120 VAC
VA6220*	20-input, dual-output, sequential switcher, 20 alarm inputs, 120 VAC

\* These models are factory configured for use in standard 19-inch EIA rack; rack ears can be removed for desktop applications.

## VIDEO

Inputs	Terminating; 75-ohm internal termination NTSC and PAL compatible
Outputs	
Monitor 1	75-ohm source terminated
Monitor 2	75-ohm source terminated; half duplex (Coaxitron compatible). Requires field jumper change
Gain	Unity
Dwell	Camera dwell independently adjustable from 1 to 60 seconds nominal
Frequency Response	10 MHz
Maximum	
Signal Level	1.5 Vp-p
Tilt	Less than 2%
Character Generation	Available on monitor 1 or 2

## ELECTRICAL

Power Requirements	2 VA 4-position switcher 4 VA 8-position switcher 6 VA 12-position switcher 8 VA 20-position switcher
Input Voltage	120 VAC, 50/60 Hz or 230 VAC, 50 Hz (as noted in model number)
Alarm In	2 common plus 1 conductor per alarm input
Alarm Out	Dry contact relay, normally open
Connectors	BNC

## GENERAL

Construction	
Chassis	Steel, zinc plated
Cover	Steel, black polyester powder coat
Panel	Aluminum, with Lexan overlay
Dimensions	
VA6104, VA6204	1.75" H x 5.50" W x 8.80" D (4.45 x 13.97 x 22.35 cm)
VA6108, VA6208	1.75" H x 8.76" W x 11.25" D (4.45 x 2.25 x 28.58 cm)
VA6112, VA6212	1.75" H x 14.32" W x 8.50" D (4.45 x 36.37 x 21.59 cm)
VA6120, VA6220	1.75" H x 17.50" W x 10.00" D (4.45 x 44.45 x 25.40 cm)
Environment	32° to 120°F (0° to 49°C)
Weight	<u>Unit</u> <u>Shipping</u>
4-position switcher	3 lb (1.36 kg)      5 lb (2.26 kg)
8-position switcher	5 lb (2.26 kg)      7 lb (3.17 kg)
12-position switcher	6 lb (2.71 kg)      8 lb (3.62 kg)
20-position switcher	8 lb (3.62 kg)      10 lb (4.53 kg)

## CERTIFICATIONS

- CE, Class A (VA6104-X, VA6112-X, VA6120-X, and VA6204-X)
- FCC, Class A (VA6104, VA6108, VA6112, VA6120, VA6204, VA6208, VA6212, and VA6220)

## OPTIONAL ACCESSORIES

R300	Rack mount kit (1 RU) for up to three 4-position switchers.
RMQ4	Rack mount kit (1 RU) for one or two 8-position switchers.
RKS10	Rack mount kit (1 RU) for one 12-position switcher.



### Pelco Worldwide Headquarters:

3500 Pelco Way, Clovis, California 93612-5699 USA

**USA & Canada** Tel: (800) 289-9100 • FAX (800) 289-9150

**International** Tel: (559) 292-1981 • FAX (559) 348-1120

[www.pelco.com](http://www.pelco.com)

Pelco and the Pelco logo are registered trademarks of Pelco  
Specifications subject to change without notice.  
©Copyright 2005, Pelco. All rights reserved.