



**1/3" Color CCD High-resolution  
Vandal-resistant Dome Camera**

**IP66 Rated  
Enclosure**

**VDC-W1594VA**

Wide Dynamic Range

**VDC-D1584VA**

Day/Night

**VDC-C1574VA**

Color High-resolution

**Wide Dynamic Range**

VDC-W1594VA



**Day/Night**

VDC-D1584VA

**High-resolution**

VDC-C1574VA



MODEL	VDC-W1594VA	VDC-D1584VA	VDC-C1574VA
Scanning system	NTSC standard 525 lines, 60 fields/sec.		
Image sensor	1/3" (approx. 4.8 mm x 3.6 mm) interline transfer method CCD		
Picture elements	Total: 811(H) x 508(V), Effective: 768(H) x 494(V)		
Horizontal resolution	480 TV lines	520 TV lines	
Minimum illumination	50 IRE 1.0 lx (at F 1.4, color mode)	1.0 lx (at F 1.4, color mode) 0.05 lx (at F 1.4 lens, B/W mode)	1.0 lx (at F 1.4, color mode)
	20 IRE 0.4 lx (at F 1.4, color mode)	0.4 lx (at F 1.4, color mode) 0.02 lx (at F 1.4 lens, B/W mode)	0.4 lx (at F 1.4, color mode)
Video output level	1.0 V (p-p) (75 Ω, composite)		
Video S/N ratio	More than 50 dB (AGC OFF)		
Backlight compensation	ON / OFF — Slide SW		
Wide dynamic	ON / OFF (54 dB typical)		
White-balance	ATW / ATW-A		
Gain control	ON / OFF		
Gamma	0.45		
Iris control	Auto Iris		
Lens	Built-in vari-focal lens f=2.6 to 6.0 mm, F1.4 to 2.0		
Angle of view	Horizontal 0 to 360°	Vertical 0 to 120°	
Synchronizing system	Internal sync. (12 V DC user) / Line lock (24 V AC user)		
Sockets	Video signal 24 V AC, GND, 12 V DC	VIDEO OUT — BNC	
Operating conditions	Temperature: -10°C to 40°C [+14°F to 104°F], Humidity: within 90% RH		
Storage	Temperature: -20°C to 70°C [-4°F to 158°F], Humidity: within 70% RH		
Power requirement	24 V AC ± 10%, 60 Hz or 12 V to 15 V DC		
Power consumption (approx.)	4.0 W	2.6 W	
Waterproof standard	IP66		
Dimensions (approx.)	140.2(φ) x 91.5(H) mm [5.6(φ) x 3.6(H) in.]		
Weight (approx.)	845 g [13.8 oz.]	850 g [13.9 oz.]	845 g [13.8 oz.]
Regulatory	UL, FCC Class B		

NOTE: Specifications subject to change without notice

### 3 variations

Wide Dynamic Range camera, Day/Night camera, or color High-resolution camera are available. x2.3 vari-focal lens is ideal for interior uses. Weatherproof construction also makes it suitable for outdoor use. (IP66 rated)

### Vandal-resistant Dome Camera Indestructible camera

Vandal-resistant camera casing does not break even when hit with a hammer. Eliminates concern about the camera being damaged.

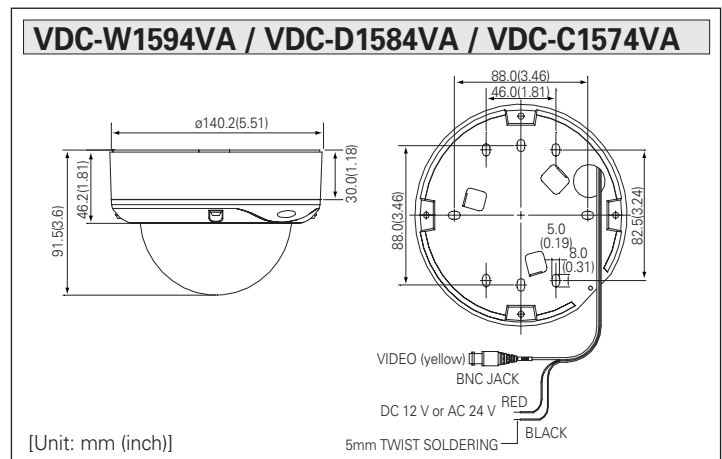
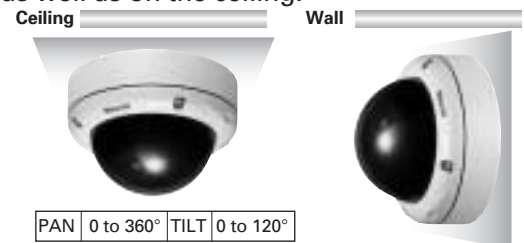
### IP66 Rated Enclosure

VDC-W1594VA, VDC-D1584VA, and VDC-1574VA are all designed to fight off dust and water. The IP66 compliant package makes them suitable for outdoor installation at locations exposed to wind and rain.

### x2.3 Vari-focal Lens

The x2.3 vari-focal lens (2.6 mm to 6 mm) is capable of providing wide angle pictures in addition to standard pictures. The camera allows its user to manually adjust the pan and tilt angles in the range of 360° and 120° respectively.

These models can be mounted on the wall, as well as on the ceiling.



**\*Caution:** Please consult the instruction manual to ensure safe and proper operation of the product.



DI Company of SANYO Electric Co., Ltd. obtained Quality Management System ISO9001 and Environmental Management System ISO14001 certifications.

Distributed by:

# SANYO

SANYO Electric Co., Ltd.  
www.sanyosecurity.com  
© 2006 SANYO Printed in Japan '06.12. AP SMS133