

FASTEST 540 TV Line

FO.95 VARI-FOCAL LENGTH LENS **2.8x**



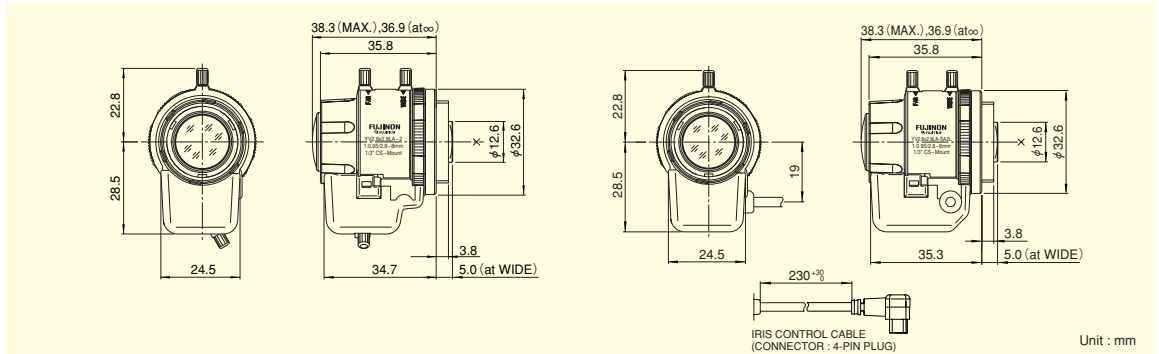
Using Aspherical Lens



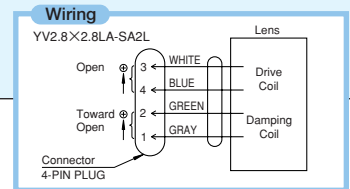
YV2.8x2.8LA-2



YV2.8x2.8LA-SA2L



			YV2.8x2.8LA-2	YV2.8x2.8LA-SA2L
Focal Length (mm)			2.8~8 (2.8x)	2.8~8 (2.8x)
Iris Range			F0.95 ~ Close	F0.95 ~ T360 (Equivalent to F360)
Operation	Zoom		Manual	Manual
	Focus		Manual	Manual
	Iris		Manual	Auto (DC Type) (*1)
Angle Of View (HxV)	1/3"	WIDE	99°52' × 73°17'	99°52' × 73°17'
		TELE	35°14' × 26°24'	35°14' × 26°24'
	1/4"	WIDE	73°17' × 54°19'	73°17' × 54°19'
		TELE	26°24' × 19°47'	26°24' × 19°47'
Focusing Range (From Front Of The Lens) (m)			∞ ~ 0.3	∞ ~ 0.3
Object Dimensions at M.O.D. (HxV) (mm)	1/3"	WIDE	736 × 459	736 × 459
		TELE	196 × 145	196 × 145
	1/4"	WIDE	459 × 317	459 × 317
		TELE	145 × 108	145 × 108
Back Focal Distance (in air) (mm)			7.5	7.5
Exit Pupil Position (From Image Plane) (mm)			91	91
Mount			CS	CS
Mass (g)			35	45
Coil Resistance			—	Drive Coil : 190Ω, Damping Coil : 500Ω
Current Consumption			—	23mA (Max.) at DC 4V
Remarks			•With Metal Mount	• Long Cable Type (230mm) • With Metal Mount (*1) When power is turned off, iris will automatically be closed.



FUJINON

Japan / Northeast Asia
FUJINON CORPORATION
 1-324 UETAKE, KITA-KU, SAITAMA CITY
 SAITAMA 331-9624, JAPAN
 TEL: +81-48-668-2152 FAX: +81-48-651-8517
 E-mail: sales@msv.fujinon.co.jp
 URL http://www.fujinon.co.jp/

North & South America
FUJINON INC.
 10 HIGH POINT DRIVE
 WAYNE, NJ 07470-7434, U.S.A.
 TEL: +1-973-633-5600 FAX: +1-973-633-5216
 E-mail: lens.sales@fujinon.com
 URL http://www.fujinoncctv.com/

Europe / Africa / Middle East
FUJINON (EUROPE) GmbH
 HALSKESTRASSE 4, 47877 WILlich
 GERMANY
 TEL: +49-2154-924-0 FAX: +49-2154-924-290
 E-mail: Fujinon@fujinon.de
 URL http://www.fujinon.de/

Southeast Asia / West Asia
FUJINON SINGAPORE PTE. LTD.
 BLK211 HENDERSON ROAD, #10-04
 HENDERSON INDUSTRIAL PARK
 SINGAPORE 159552
 TEL: +65-6276-4988 FAX: +65-6276-6911
 E-mail: fujinon@fujinon.com.sg
 URL http://www.fujinon.com.sg/

www.fujinoncctv.com

China / Philippines
FUJINON HONG KONG LTD.
 UNIT 2605-2607, LEVEL 26
 METROPLAZA TOWER 1, 223 HING FONG ROAD
 KWAI FONG N.T., HONG KONG
 TEL: +852-2311-1228 FAX: +852-2724-1118
 E-mail: enquiry@fujinon.com.hk
 URL http://www.fujinon.com.hk

Oceania
FUJINON AUSTRALIA PTY. LTD
 UNIT-18, 52 HOLKER STREET, SILVERWATER
 N.S.W. 2128, AUSTRALIA
 TEL: +61-2-9748-2744 FAX: +61-2-9748-2428
 E-mail: sales@fujinon.com.au